

# HIDRO PUMP CATALOGUE

**MD & HD SERIES  
SLURRY PUMPS  
415 VOLTS**

**50 Hz**

**STAINLESS STEEL**

# SLURRY STAINLESS STEEL PUMPS 415V

At Hidro Pumps, we provide expertly designed equipment that offers practical and efficient solutions for a vast range of pumping applications. Our strength lies in our ability to deliver superior technology that solves complex fluid management challenges. Every product in our portfolio is a testament to our core principles of precision, power, and innovation, ensuring you receive a reliable and high-performance solution tailored to your specific operational needs.

Our comprehensive product range are engineered to perform in the most demanding industrial environments.

Designed for robust and efficient water removal, our dewatering pumps are essential for maintaining dry and safe conditions in construction sites, mines, and municipal works. These pumps are built to handle high volumes of water, even with light abrasives, providing dependable performance when you need it most.

## Products

### Slurry Pumps MD Series

**Flow:** from 4l/s up to 120 l/s

**Height:** from 8m up to 50m

**Voltage:** 415v

**Up to:** 60% solids

Stainless Steel version



Bronco  
2MD

Bronco  
3MD

Bronco  
5MD

Bronco  
7MD

Bronco  
9MD

Bronco  
17MD

Bronco  
33MD

Bronco  
66MD

Bronco  
99MD

### Slurry Pumps HD Series

**Flow:** from 4l/s up to 120 l/s

**Height:** from 8m up to 50m

**Voltage:** 415v

**Up to:** 60% solids

Stainless Steel version



Bronco  
33HD

Bronco  
66HD

Bronco  
99HD

## Contact Your Local Dowdens Account Manager

### MACKAY (Head Office)

9-15 Industrial St, Mackay Qld 4740  
Phone: 07 4969 4949 Fax: 07 4969 4900  
info@dowdens.com.au

### ROCKHAMPTON

4/415 Yaamba Rd, Rockhampton Qld 4701  
Phone: 07 4923 6969 Fax: 07 4923 6900  
info@dowdens.com.au

### BRISBANE

45 Fulcrum St, Richlands Qld 4077  
Phone: 07 3828 7000 Fax: 07 3828 7055  
brisbane@dowdens.com.au

### PROSERPINE

2 Mann St, Proserpine Qld 4800  
Phone 07 4969 4940 Fax 07 4969 4900  
info@dowdens.com.au

**DOWDENS**  
PUMPING & WATER TREATMENT  
*Making water work for you*

www.dowdens.com.au

# INDEX

## B

BRONCO 2MD SS 415V .....	4
BRONCO 3MD SS 415V .....	5
BRONCO 5MD SS 415V .....	6
BRONCO 7MD SS 415V .....	7
BRONCO 9MD SS 415V .....	8, 9, 10
BRONCO 17MD SS 415V .....	11, 12, 13
BRONCO 33HD SS 415V .....	23, 24, 25
BRONCO 33MD SS 415V .....	14, 15, 16
BRONCO 66HD SS 415V .....	26, 27, 28
BRONCO 66MD SS 415V .....	17, 18, 19
BRONCO 99HD SS 415V .....	29, 30, 31
BRONCO 99MD SS 415V .....	20, 21, 22

### Contact Your Local Dowdens Account Manager

#### MACKAY (Head Office)

9-15 Industrial St, Mackay Qld 4740  
Phone: 07 4969 4949 Fax: 07 4969 4900  
info@dowdens.com.au

#### ROCKHAMPTON

4/415 Yaamba Rd, Rockhampton Qld 4701  
Phone: 07 4923 6969 Fax: 07 4923 6900  
info@dowdens.com.au

#### BRISBANE

45 Fulcrum St, Richlands Qld 4077  
Phone: 07 3828 7000 Fax: 07 3828 7055  
brisbane@dowdens.com.au

#### PROSERPINE

2 Mann St, Proserpine Qld 4800  
Phone 07 4969 4940 Fax 07 4969 4900  
info@dowdens.com.au



[www.dowdens.com.au](http://www.dowdens.com.au)

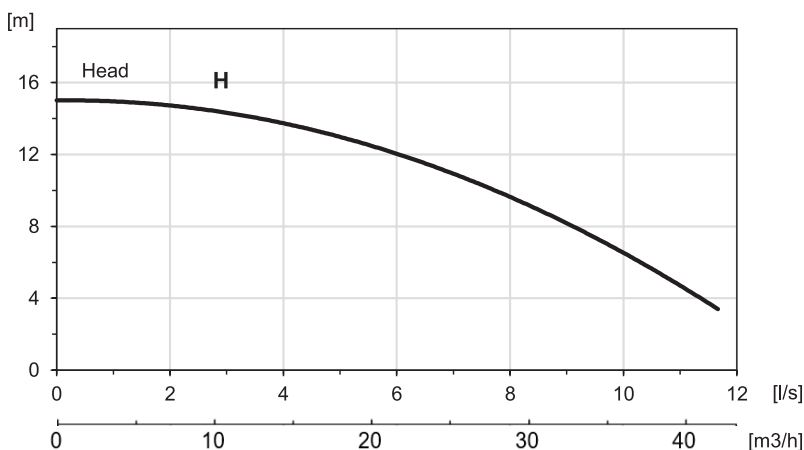
**STAINLESS STEEL**



\*Reference image

Electric submersible slurry pump, available in various cast iron and stainless steel alloys. For applications in mines, and other industries to handle abrasive solids and slurries.

50 Hz	MD
Power, [kW / HP]	1.8 / 2.5
Voltage, V	380 / 400 / 500
Nominal current, A	4.2 / 3.9 / 3.2
Weight, kg	42
Max. height, mm	350
Max. width, mm	250
Discharge, in.	2"
Strainer opening Ø, mm	10



**Models**

MD: Medium Duty

**Classification**

Submersible slurry pump

**Electric motor**

Three-phase squirrel cage motor.  
Speed: 2950 RPM  
Insulation class: H  
Start: Direct  
Max. number of starts per hour: 12

**Motor protection**

Three-phase squirrel cage motor.  
Protection: IP 68

**Cable**

4Gx2.5mm<sup>2</sup> + 2x1mm<sup>2</sup>, 20m<sup>(1)</sup>

**Mechanical seals**

Mechanical seal in oil chamber.  
Rotary seal material: Silicon carbide  
Stationary seal material: Silicon carbide  
Elastomers: Viton

**Bearings**

Deep groove ball bearing C3.

**Discharge connection**

2"

**Limitations**

Maximum submersion: 20m  
Maximum liquid temperature: 40°C  
Liquid pH range: 2 - 11

**Available materials**

Cover: Stainless steel  
External cover: Stainless steel  
Strainer: Stainless steel  
Impeller: Stainless steel  
Volute: Stainless steel + PU  
Shaft: AISI 431 Stainless steel  
Screws/Nuts: Stainless steel

This pump must be connected to an external electrical cabinet with adequate protections.

\*Specifications are subject to change without notice.

**Contact Your Local Dowdens Account Manager**

**MACKAY (Head Office)**  
9-15 Industrial St, Mackay Qld 4740  
Phone: 07 4969 4949 Fax: 07 4969 4900  
info@dowdens.com.au

**ROCKHAMPTON**  
4/415 Yaamba Rd, Rockhampton Qld 4701  
Phone: 07 4923 6969 Fax: 07 4923 6900  
info@dowdens.com.au

**BRISBANE**  
45 Fulcrum St, Richlands Qld 4077  
Phone: 07 3828 7000 Fax: 07 3828 7055  
brisbane@dowdens.com.au

**PROSERPINE**  
2 Mann St, Proserpine Qld 4800  
Phone 07 4969 4940 Fax 07 4969 4900  
info@dowdens.com.au

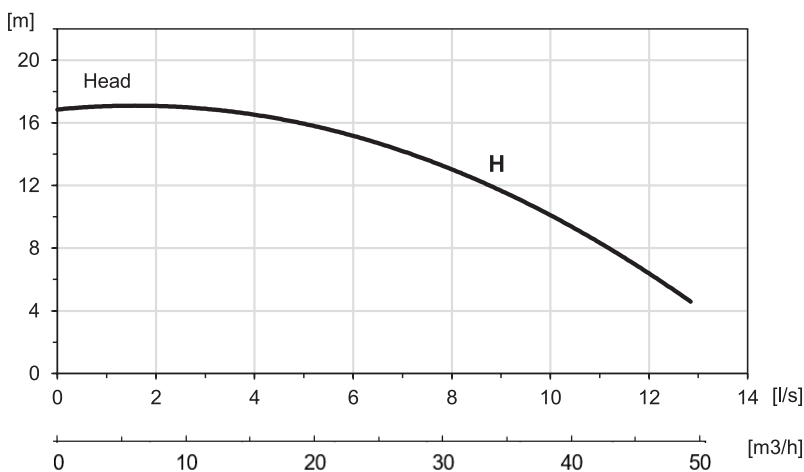


**STAINLESS STEEL**



Electric submersible slurry pump, available in various cast iron and stainless steel alloys. For applications in mines, and other industries to handle abrasive solids and slurries.

50 Hz	MD
Power, [kW / HP]	2.6 / 3.5
Voltage, V	380 / 400 / 500
Nominal current, A	5.6 / 5.3 / 4.3
Weight, kg	49
Max. height, mm	360
Max. width, mm	255
Discharge, in.	2"
Strainer opening Ø, mm	15



**Models**

MD: Medium Duty

**Classification**

Submersible slurry pump

**Electric motor**

Three-phase squirrel cage motor.  
Speed: 2950 RPM  
Insulation class: H  
Start: Direct  
Max. number of starts per hour: 12

**Motor protection**

Three-phase squirrel cage motor.  
Protection: IP 68

**Cable**

4Gx2.5mm<sup>2</sup> + 2x1mm<sup>2</sup>, 20m<sup>(1)</sup>

**Mechanical seals**

Mechanical seal in oil chamber.  
Rotary seal material: Silicon carbide  
Stationary seal material: Silicon carbide  
Elastomers: Viton

**Bearings**

Deep groove ball bearing C3.

**Discharge connection**

2" H

**Limitations**

Maximum submersion: 20m  
Maximum liquid temperature: 40°C  
Liquid pH range: 2 - 11

**Available materials**

Cover: Stainless steel  
External cover: Stainless steel  
Strainer: Stainless steel  
Impeller: Stainless steel  
Volute: Stainless steel + PU  
Shaft: AISI 431 Stainless steel  
Screws/Nuts: Stainless steel

This pump must be connected to an external electrical cabinet with adequate protections.

\*Specifications are subject to change without notice.

**Contact Your Local Dowdens Account Manager**

**MACKAY (Head Office)**  
9-15 Industrial St, Mackay Qld 4740  
Phone: 07 4969 4949 Fax: 07 4969 4900  
info@dowdens.com.au

**ROCKHAMPTON**  
4/415 Yaamba Rd, Rockhampton Qld 4701  
Phone: 07 4923 6969 Fax: 07 4923 6900  
info@dowdens.com.au

**BRISBANE**  
45 Fulcrum St, Richlands Qld 4077  
Phone: 07 3828 7000 Fax: 07 3828 7055  
brisbane@dowdens.com.au

**PROSERPINE**  
2 Mann St, Proserpine Qld 4800  
Phone 07 4969 4940 Fax 07 4969 4900  
info@dowdens.com.au

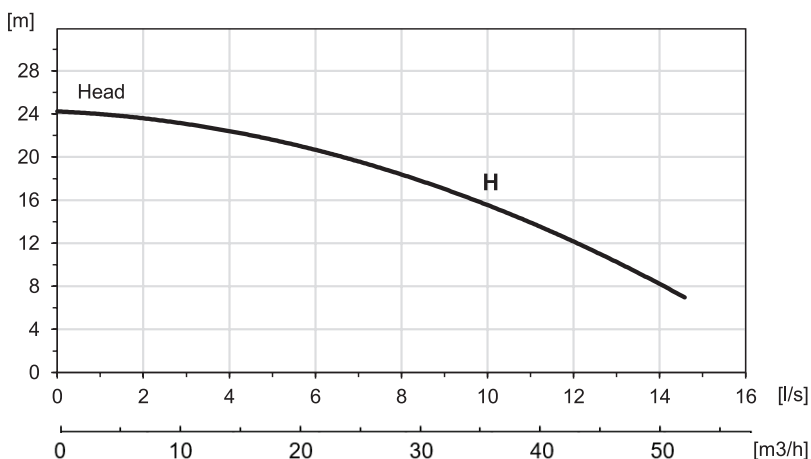


**STAINLESS STEEL**



Electric submersible slurry pump, available in various cast iron and stainless steel alloys. For applications in mines, and other industries to handle abrasive solids and slurries.

50 Hz	MD
Power, [kW / HP]	3.7 / 5
Voltage, V	380 / 400 / 500
Nominal current, A	7.7 / 7.3 / 5.8
Weight, kg	58
Max. height, mm	380
Max. width, mm	265
Discharge, in.	3"
Strainer opening Ø, mm	18



**Models**

MD: Medium Duty

**Classification**

Submersible slurry pump

**Electric motor**

Three-phase squirrel cage motor.  
Speed: 2950 RPM  
Insulation class: H  
Start: Direct  
Max. number of starts per hour: 12

**Motor protection**

Three-phase squirrel cage motor.  
Protection: IP 68

**Cable**

4Gx2.5mm<sup>2</sup> + 2x1mm<sup>2</sup>, 20m<sup>(1)</sup>

**Mechanical seals**

Mechanical seal in oil chamber.  
Rotary seal material: Silicon carbide  
Stationary seal material: Silicon carbide  
Elastomers: Viton

**Bearings**

Deep groove ball bearing C3

**Discharge connection**

3" H

**Limitations**

Maximum submersion: 20m  
Maximum liquid temperature: 40°C  
Liquid pH range: 2 - 11

**Available materials**

Cover: Stainless steel  
External cover: Stainless steel  
Strainer: Stainless steel  
Impeller: Stainless steel  
Volute: Stainless steel + PU  
Shaft: AISI 431 Stainless steel  
Screws/Nuts: Stainless steel

This pump must be connected to an external electrical cabinet with adequate protections.

\*Specifications are subject to change without notice.

**Contact Your Local Dowdens Account Manager**

**MACKAY (Head Office)**  
9-15 Industrial St, Mackay Qld 4740  
Phone: 07 4969 4949 Fax: 07 4969 4900  
info@dowdens.com.au

**ROCKHAMPTON**  
4/415 Yaamba Rd, Rockhampton Qld 4701  
Phone: 07 4923 6969 Fax: 07 4923 6900  
info@dowdens.com.au

**BRISBANE**  
45 Fulcrum St, Richlands Qld 4077  
Phone: 07 3828 7000 Fax: 07 3828 7055  
brisbane@dowdens.com.au

**PROSERPINE**  
2 Mann St, Proserpine Qld 4800  
Phone 07 4969 4940 Fax 07 4969 4900  
info@dowdens.com.au

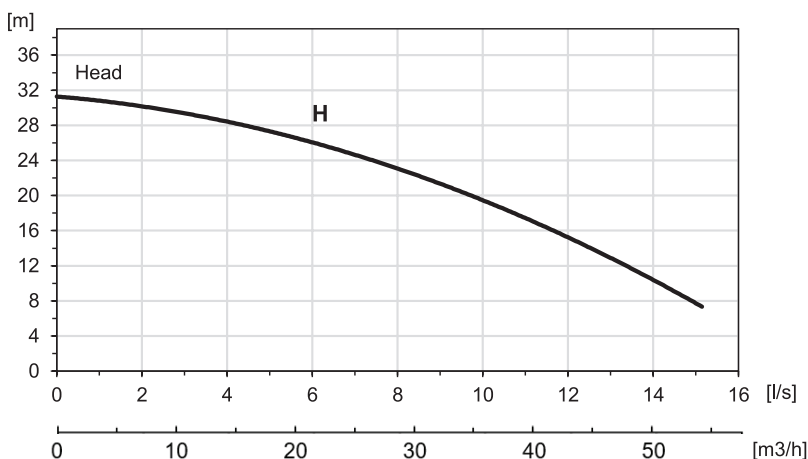


**STAINLESS STEEL**



Electric submersible slurry pump, available in various cast iron and stainless steel alloys. For applications in mines, and other industries to handle abrasive solids and slurries.

50 Hz	MD
Power, [kW / HP]	5.5 / 7.5
Voltage, V	380 / 400 / 500
Nominal current, A	11.6 / 10 / 9.6
Weight, kg	61
Max. height, mm	415
Max. width, mm	290
Discharge, in.	3"
Strainer opening Ø, mm	22



**Models**

MD: Medium Duty

**Classification**

Submersible slurry pump

**Electric motor**

Three-phase squirrel cage motor.  
Speed: 2950 RPM  
Insulation class: H  
Start: Direct  
Max. number of starts per hour: 12

**Motor protection**

Three-phase squirrel cage motor.  
Protection: IP 68

**Cable**

4Gx2.5mm<sup>2</sup> + 2x1mm<sup>2</sup>, 20m<sup>(\*)</sup>

**Mechanical seals**

Mechanical seal in oil chamber.  
Rotary seal material: Silicon carbide  
Stationary seal material: Silicon carbide  
Elastomers: Viton

**Bearings**

Deep groove ball bearing C3.

**Discharge connection**

3" H

**Limitations**

Maximum submersion: 20m  
Maximum liquid temperature: 40°C  
Liquid pH range: 2 - 11

**Available materials**

Cover: Stainless steel  
External cover: Stainless steel  
Strainer: Stainless steel  
Impeller: Stainless steel  
Volute: Stainless steel + PU  
Shaft: AISI 431 Stainless steel  
Screws/Nuts: Stainless steel

This pump must be connected to an external electrical cabinet with adequate protections.

\*Specifications are subject to change without notice.

**Contact Your Local Dowdens Account Manager**

**MACKAY (Head Office)**  
9-15 Industrial St, Mackay Qld 4740  
Phone: 07 4969 4949 Fax: 07 4969 4900  
info@dowdens.com.au

**ROCKHAMPTON**  
4/415 Yaamba Rd, Rockhampton Qld 4701  
Phone: 07 4923 6969 Fax: 07 4923 6900  
info@dowdens.com.au

**BRISBANE**  
45 Fulcrum St, Richlands Qld 4077  
Phone: 07 3828 7000 Fax: 07 3828 7055  
brisbane@dowdens.com.au

**PROSERPINE**  
2 Mann St, Proserpine Qld 4800  
Phone 07 4969 4940 Fax 07 4969 4900  
info@dowdens.com.au



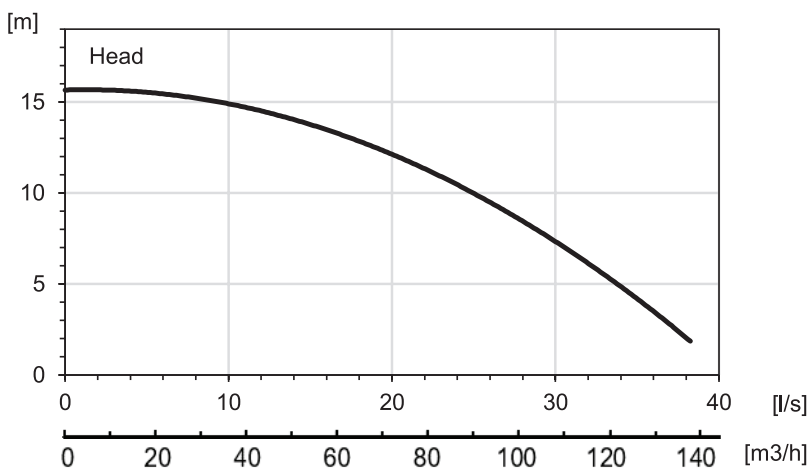
**STAINLESS STEEL**



\*Reference image

Electric submersible slurry pump, available in various cast iron and stainless steel alloys. For applications in mines, and other industries to handle abrasive solids and slurries.

50 Hz	MD
Power, [kW / HP]	5.6 / 7.5
Voltage, V	380 / 400 / 500
Nominal current, A	10.7 / 10.2 / 8.1
Weight, kg	176
Max. height, mm	949
Max. width, mm	459
Discharge, in.	3" - 4"
Strainer opening Ø, mm	25.4



**Models**

MD: Medium Duty

**Classification**

Submersible slurry pump

**Electric motor**

Three-phase squirrel cage motor.  
Speed: 1450 RPM  
Insulation class: H  
Start: Direct  
Max. number of starts per hour: 12

**Motor protection**

Thermal contacts in the winding.  
Protection: IP 68

**Cable**

4Gx10mm<sup>2</sup> + 2x1.5mm<sup>2</sup>, 20m<sup>(\*)</sup>

**Mechanical seals**

Double mechanical seal in oil and water chamber.  
Rotary seal material: Silicon carbide  
Stationary seal material: Silicon carbide  
Elastomers: Viton

**Discharge connection**

3" - 4" <sup>(\*)</sup>

**Limitations**

Maximum submersion: 20m  
Maximum liquid temperature: 40°C  
Liquid pH range: 2 - 11

**Available materials**

Cover: Stainless steel  
Strainer: Stainless steel  
Impeller: Stainless steel  
Agitator: Stainless steel  
Wear plate: Stainless steel  
Cover suction: Stainless steel  
Casing/volute: Stainless steel  
Shaft: AISI 431 Stainless steel  
Screws/Nuts: Stainless steel

This pump must be connected to an external electrical cabinet with adequate protections.

\*Specifications are subject to change without notice.

**Contact Your Local Dowdens Account Manager**

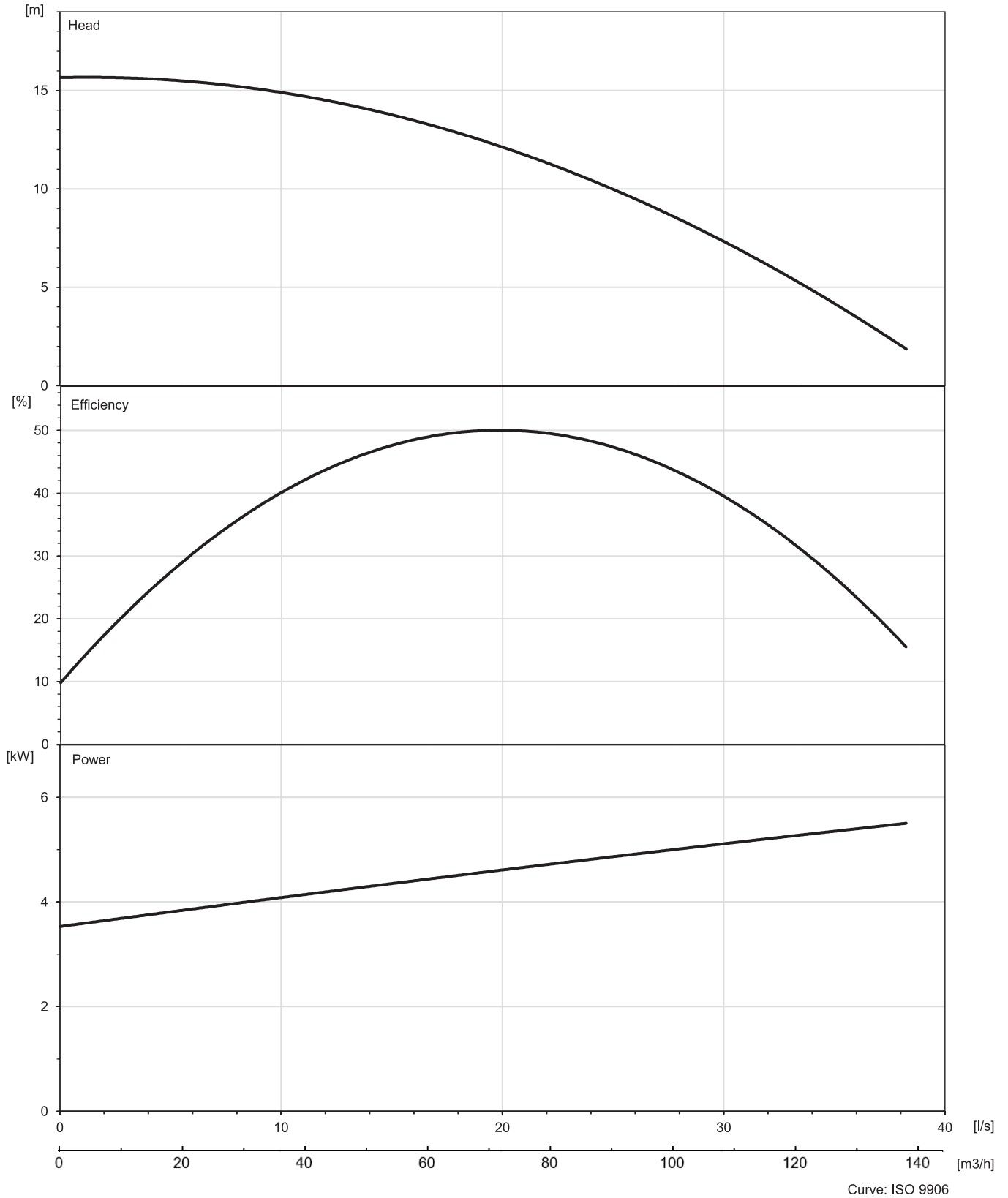
**MACKAY (Head Office)**  
9-15 Industrial St, Mackay Qld 4740  
Phone: 07 4969 4949 Fax: 07 4969 4900  
info@dowdens.com.au

**ROCKHAMPTON**  
4/415 Yaamba Rd, Rockhampton Qld 4701  
Phone: 07 4923 6969 Fax: 07 4923 6900  
info@dowdens.com.au

**BRISBANE**  
45 Fulcrum St, Richlands Qld 4077  
Phone: 07 3828 7000 Fax: 07 3828 7055  
brisbane@dowdens.com.au

**PROSERPINE**  
2 Mann St, Proserpine Qld 4800  
Phone 07 4969 4940 Fax 07 4969 4900  
info@dowdens.com.au





**Contact Your Local Dowdens Account Manager**

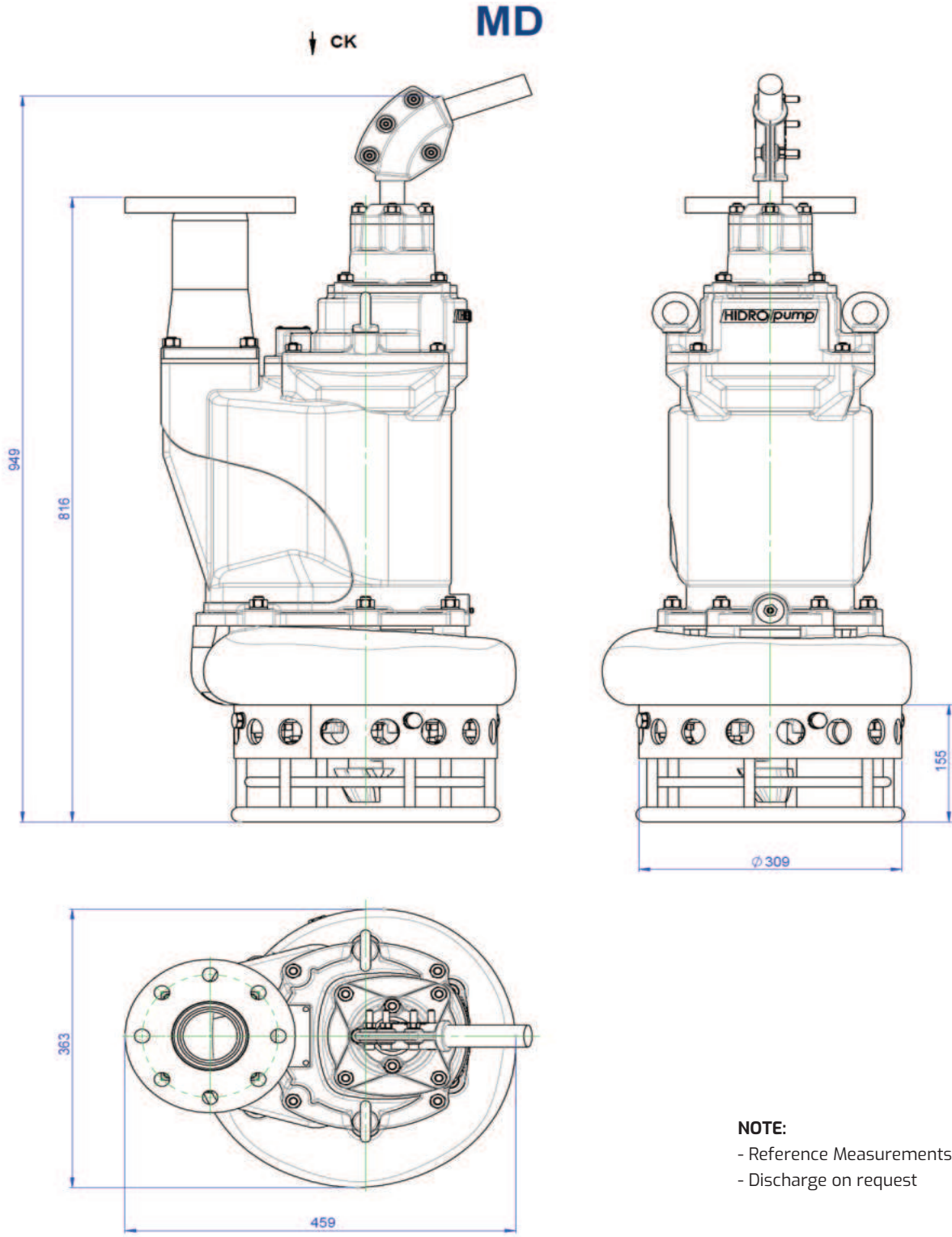
**MACKAY (Head Office)**  
9-15 Industrial St, Mackay Qld 4740  
Phone: 07 4969 4949 Fax: 07 4969 4900  
info@dowdens.com.au

**ROCKHAMPTON**  
4/415 Yaamba Rd, Rockhampton Qld 4701  
Phone: 07 4923 6969 Fax: 07 4923 6900  
info@dowdens.com.au

**BRISBANE**  
45 Fulcrum St, Richlands Qld 4077  
Phone: 07 3828 7000 Fax: 07 3828 7055  
brisbane@dowdens.com.au

**PROSERPINE**  
2 Mann St, Proserpine Qld 4800  
Phone 07 4969 4940 Fax 07 4969 4900  
info@dowdens.com.au





VIEW CK

**NOTE:**  
- Reference Measurements  
- Discharge on request

**Contact Your Local Dowdens Account Manager**

**MACKAY (Head Office)**  
9-15 Industrial St, Mackay Qld 4740  
Phone: 07 4969 4949 Fax: 07 4969 4900  
info@dowdens.com.au

**ROCKHAMPTON**  
4/415 Yaamba Rd, Rockhampton Qld 4701  
Phone: 07 4923 6969 Fax: 07 4923 6900  
info@dowdens.com.au

**BRISBANE**  
45 Fulcrum St, Richlands Qld 4077  
Phone: 07 3828 7000 Fax: 07 3828 7055  
brisbane@dowdens.com.au

**PROSERPINE**  
2 Mann St, Proserpine Qld 4800  
Phone 07 4969 4940 Fax 07 4969 4900  
info@dowdens.com.au

**DOWDENS**  
**PUMPING & WATER TREATMENT**  
*Making water work for you*

[www.dowdens.com.au](http://www.dowdens.com.au)

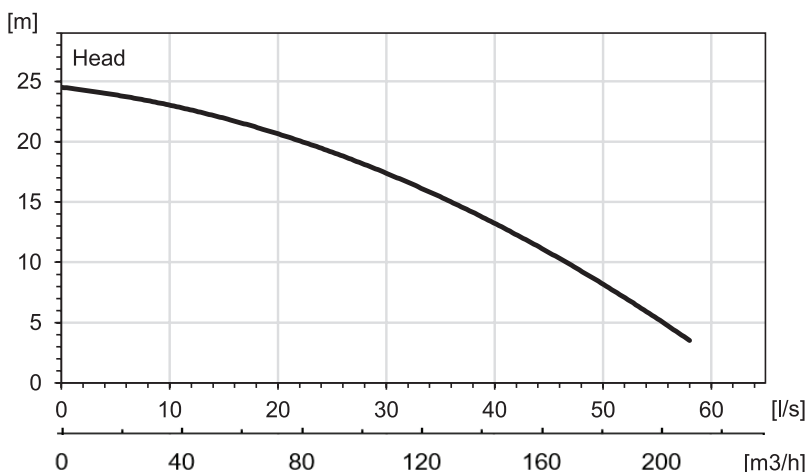
**STAINLESS STEEL**



\*Reference image

Electric submersible slurry pump, available in various cast iron and stainless steel alloys. For applications in mines, and other industries to handle abrasive solids and slurries.

50 Hz	MD
Power, [kW / HP]	11 / 15
Voltage, V	380 / 400 / 500
Nominal current, A	23.5 / 22.3 / 17.9
Weight, kg	332
Max. height, mm	1221
Max. width, mm	583
Discharge, in.	4"
Strainer opening Ø, mm	33



**Models**

MD: Medium Duty

**Classification**

Submersible slurry pump

**Electric motor**

Three-phase squirrel cage motor.  
Speed: 1450 RPM  
Insulation class: H  
Start: Direct  
Max. number of starts per hour: 12

**Motor protection**

Thermal contacts in the winding.  
Protection: IP 68

**Cable**

4Gx10mm<sup>2</sup> + 2x1.5mm<sup>2</sup>, 20m<sup>(\*)</sup>

**Mechanical seals**

Double mechanical seal in oil and water chamber.  
Rotary seal material: Silicon carbide  
Stationary seal material: Silicon carbide  
Elastomers: Viton

**Discharge connection**

4" N. <sup>(\*)</sup>

**Limitations**

Maximum submersion: 20m  
Maximum liquid temperature: 40°C  
Liquid pH range: 2 - 11

**Available materials**

Cover: Stainless steel  
Strainer: Stainless steel  
Impeller: Stainless steel  
Agitator: Stainless steel  
Wear plate: Stainless steel  
Cover suction: Stainless steel  
Casing/volute: Stainless steel  
Shaft: AISI 431 Stainless steel  
Screws/Nuts: Stainless steel

This pump must be connected to an external electrical cabinet with adequate protections.

\*Specifications are subject to change without notice.

**Contact Your Local Dowdens Account Manager**

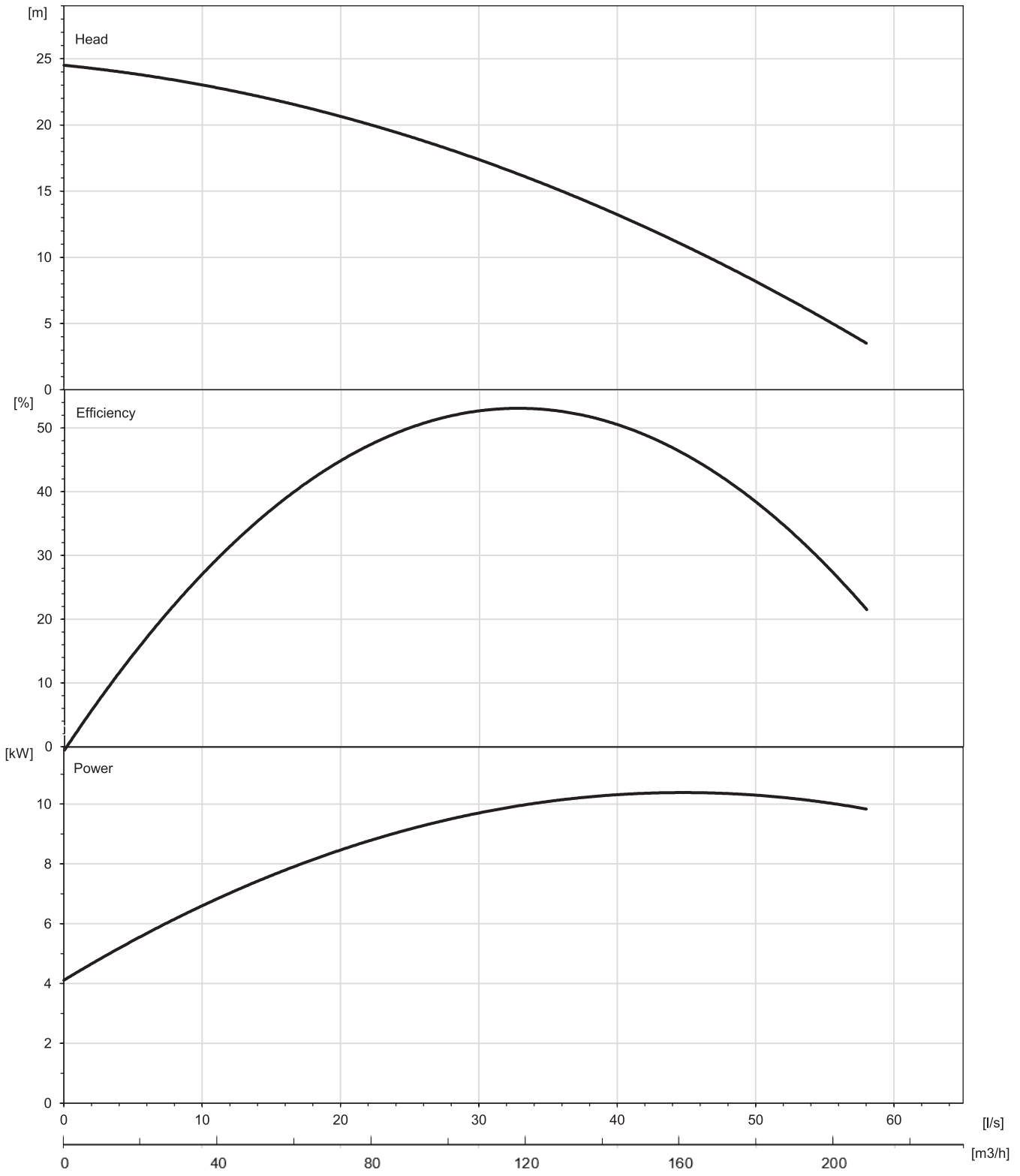
**MACKAY (Head Office)**  
9-15 Industrial St, Mackay Qld 4740  
Phone: 07 4969 4949 Fax: 07 4969 4900  
info@dowdens.com.au

**ROCKHAMPTON**  
4/415 Yaamba Rd, Rockhampton Qld 4701  
Phone: 07 4923 6969 Fax: 07 4923 6900  
info@dowdens.com.au

**BRISBANE**  
45 Fulcrum St, Richlands Qld 4077  
Phone: 07 3828 7000 Fax: 07 3828 7055  
brisbane@dowdens.com.au

**PROSERPINE**  
2 Mann St, Proserpine Qld 4800  
Phone 07 4969 4940 Fax 07 4969 4900  
info@dowdens.com.au





Curve: ISO 9906

**Contact Your Local Dowdens Account Manager**

**MACKAY (Head Office)**  
9-15 Industrial St, Mackay Qld 4740  
Phone: 07 4969 4949 Fax: 07 4969 4900  
info@dowdens.com.au

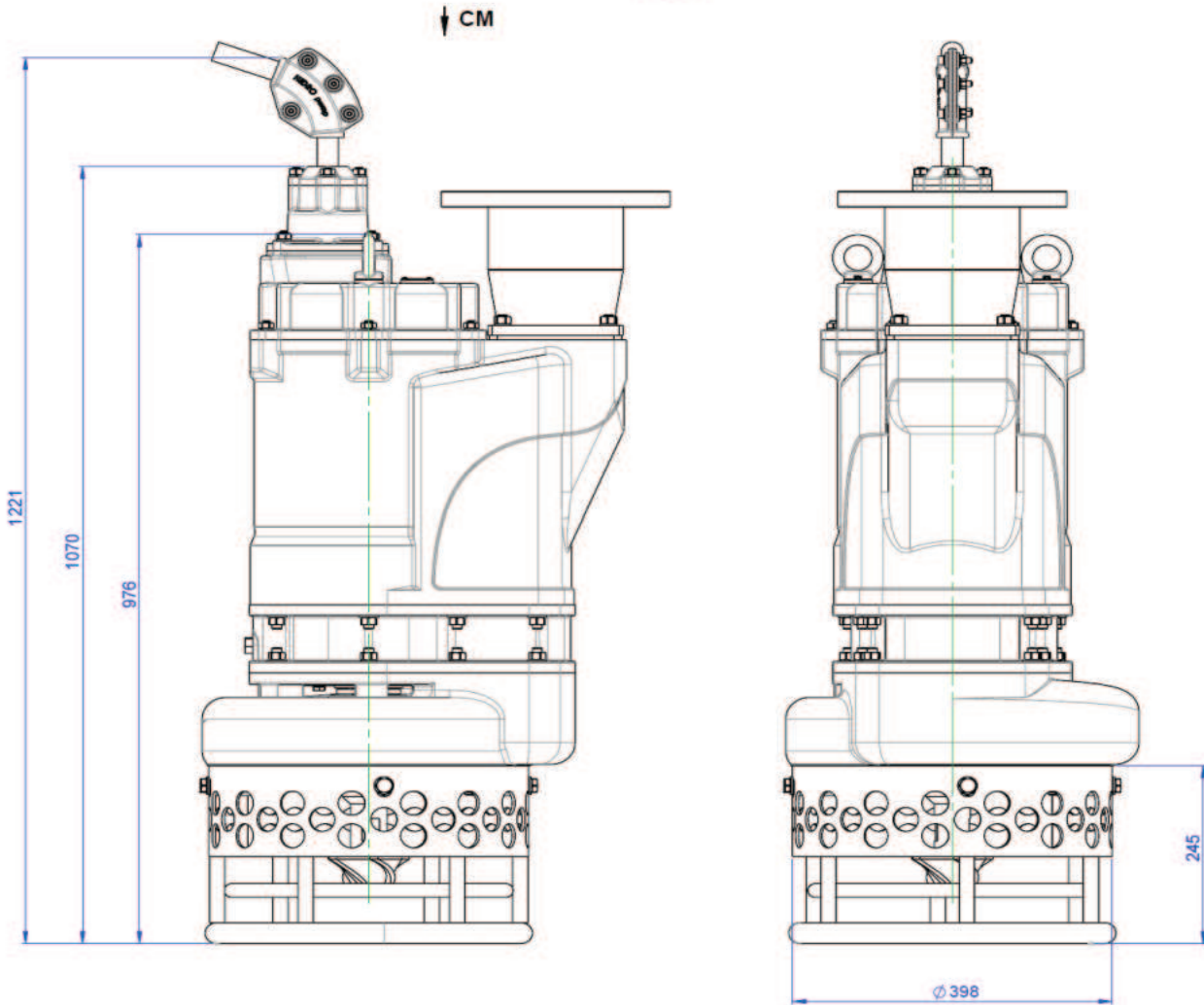
**ROCKHAMPTON**  
4/415 Yaamba Rd, Rockhampton Qld 4701  
Phone: 07 4923 6969 Fax: 07 4923 6900  
info@dowdens.com.au

**BRISBANE**  
45 Fulcrum St, Richlands Qld 4077  
Phone: 07 3828 7000 Fax: 07 3828 7055  
brisbane@dowdens.com.au

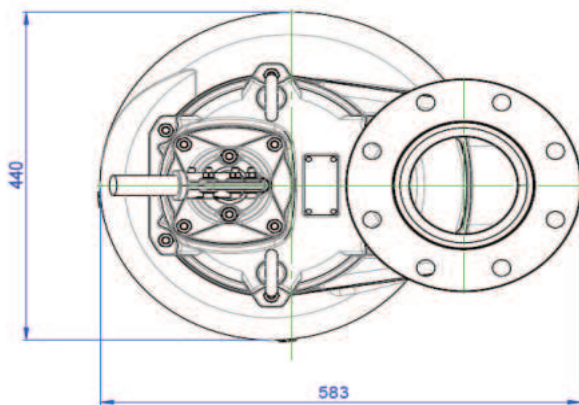
**PROSERPINE**  
2 Mann St, Proserpine Qld 4800  
Phone 07 4969 4940 Fax 07 4969 4900  
info@dowdens.com.au



**MD**



**VIEW CM**



**NOTE:**  
- Reference Measurements  
- Discharge on request

**Contact Your Local Dowdens Account Manager**

**MACKAY (Head Office)**  
9-15 Industrial St, Mackay Qld 4740  
Phone: 07 4969 4949 Fax: 07 4969 4900  
info@dowdens.com.au

**ROCKHAMPTON**  
4/415 Yaamba Rd, Rockhampton Qld 4701  
Phone: 07 4923 6969 Fax: 07 4923 6900  
info@dowdens.com.au

**BRISBANE**  
45 Fulcrum St, Richlands Qld 4077  
Phone: 07 3828 7000 Fax: 07 3828 7055  
brisbane@dowdens.com.au

**PROSERPINE**  
2 Mann St, Proserpine Qld 4800  
Phone 07 4969 4940 Fax 07 4969 4900  
info@dowdens.com.au

**DOWDENS**  
**PUMPING & WATER TREATMENT**  
*Making water work for you*

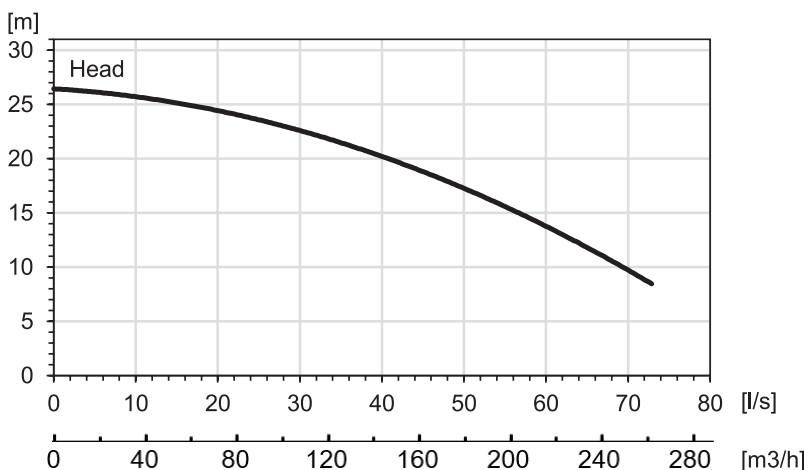
[www.dowdens.com.au](http://www.dowdens.com.au)

**STAINLESS STEEL**



Electric submersible slurry pump, available in various cast iron and stainless steel alloys. For applications in mines, and other industries to handle abrasive solids and slurries.

50 Hz	MD
Power, [kW / HP]	22 / 30
Voltage, V	380 / 400 / 500
Nominal current, A	47 / 44.7 / 35.7
Weight, kg	572
Max. height, mm	1511
Max. width, mm	560
Discharge, in.	4" - 6"
Strainer opening Ø, mm	38



**Models**

MD: Medium Duty

**Classification**

Submersible slurry pump

**Electric motor**

Three-phase squirrel cage motor.  
Speed: 1450 RPM  
Insulation class: H  
Start: Direct  
Max. number of starts per hour: 12

**Motor protection**

Thermal contacts in the winding.  
Protection: IP 68

**Cable**

4Gx10mm<sup>2</sup> + 2x1.5mm<sup>2</sup>, 20m<sup>(\*)</sup>

**Mechanical seals**

Double mechanical seal in oil and water chamber.  
Rotary seal material: Silicon carbide  
Stationary seal material: Silicon carbide  
Elastomers: Viton

**Discharge connection**

4" H - 6" <sup>(\*)</sup>

**Limitations**

Maximum submersion: 20m  
Maximum liquid temperature: 40°C  
Liquid pH range: 2 - 11

**Available materials**

Cover: Stainless steel  
Strainer: Stainless steel  
Impeller: Stainless steel  
Agitator: Stainless steel  
Wear plate: Stainless steel  
Cover suction: Stainless steel  
Casing/volute: Stainless steel  
Shaft: AISI 431 Stainless steel  
Screws/Nuts: Stainless steel

This pump must be connected to an external electrical cabinet with adequate protections.

\*Specifications are subject to change without notice.

**Contact Your Local Dowdens Account Manager**

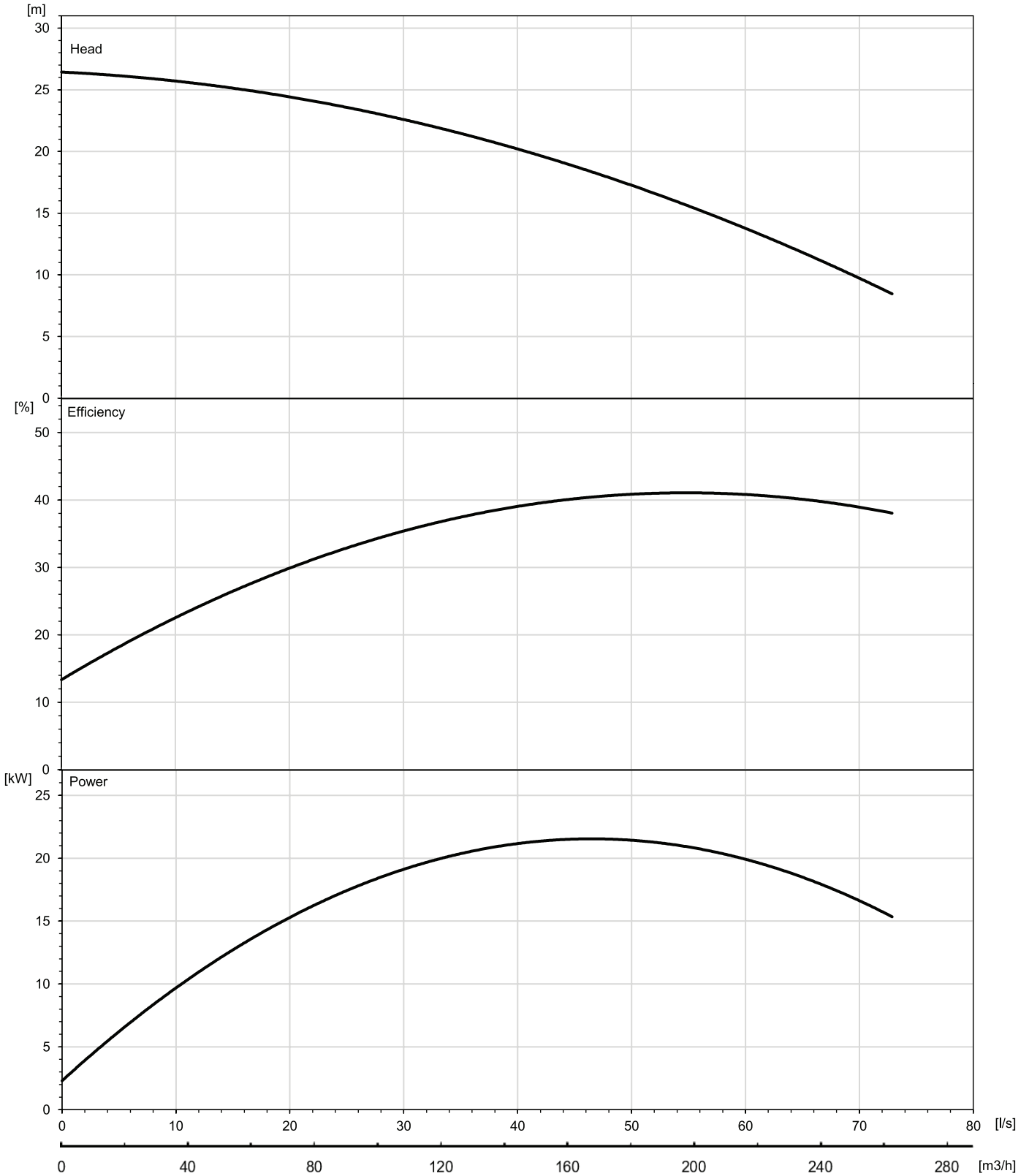
**MACKAY (Head Office)**  
9-15 Industrial St, Mackay Qld 4740  
Phone: 07 4969 4949 Fax: 07 4969 4900  
info@dowdens.com.au

**ROCKHAMPTON**  
4/415 Yaamba Rd, Rockhampton Qld 4701  
Phone: 07 4923 6969 Fax: 07 4923 6900  
info@dowdens.com.au

**BRISBANE**  
45 Fulcrum St, Richlands Qld 4077  
Phone: 07 3828 7000 Fax: 07 3828 7055  
brisbane@dowdens.com.au

**PROSERPINE**  
2 Mann St, Proserpine Qld 4800  
Phone 07 4969 4940 Fax 07 4969 4900  
info@dowdens.com.au





**Contact Your Local Dowdens Account Manager**

**MACKAY (Head Office)**

9-15 Industrial St, Mackay Qld 4740  
Phone: 07 4969 4949 Fax: 07 4969 4900  
info@dowdens.com.au

**ROCKHAMPTON**

4/415 Yaamba Rd, Rockhampton Qld 4701  
Phone: 07 4923 6969 Fax: 07 4923 6900  
info@dowdens.com.au

**BRISBANE**

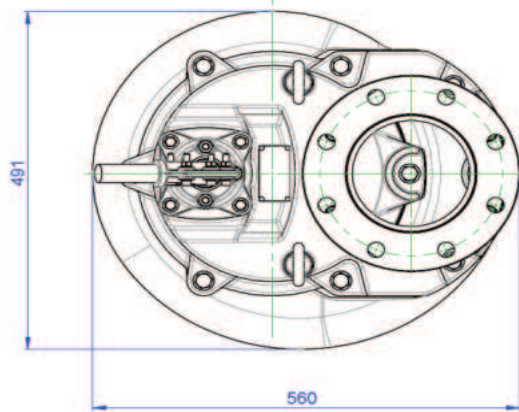
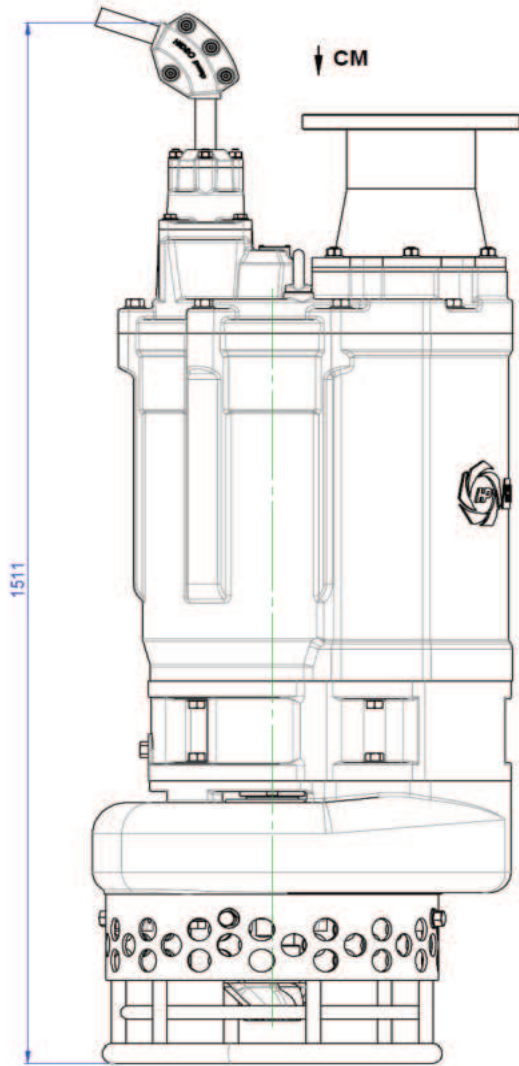
45 Fulcrum St, Richlands Qld 4077  
Phone: 07 3828 7000 Fax: 07 3828 7055  
brisbane@dowdens.com.au

**PROSERPINE**

2 Mann St, Proserpine Qld 4800  
Phone 07 4969 4940 Fax 07 4969 4900  
info@dowdens.com.au



**MD**



**VIEW CM**

**NOTE:**

- Reference Measurements
- Discharge on request

**Contact Your Local Dowdens Account Manager**

**MACKAY (Head Office)**

9-15 Industrial St, Mackay Qld 4740  
Phone: 07 4969 4949 Fax: 07 4969 4900  
info@dowdens.com.au

**ROCKHAMPTON**

4/415 Yaamba Rd, Rockhampton Qld 4701  
Phone: 07 4923 6969 Fax: 07 4923 6900  
info@dowdens.com.au

**BRISBANE**

45 Fulcrum St, Richlands Qld 4077  
Phone: 07 3828 7000 Fax: 07 3828 7055  
brisbane@dowdens.com.au

**PROSERPINE**

2 Mann St, Proserpine Qld 4800  
Phone 07 4969 4940 Fax 07 4969 4900  
info@dowdens.com.au



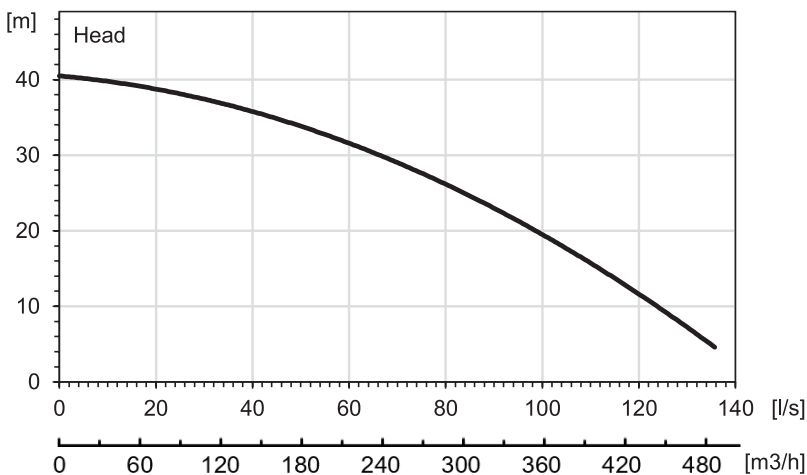
**STAINLESS STEEL**



\*Reference image

Electric submersible slurry pump, available in various cast iron and stainless steel alloys. For applications in mines, and other industries to handle abrasive solids and slurries.

50 Hz	MD
Power, [kW / HP]	47 / 63
Voltage, V	380 / 400 / 500
Nominal current, A	117 / 111.2 / 89
Weight, kg	1265
Max. height, mm	1805
Max. width, mm	876
Discharge, in.	8"
Strainer opening Ø, mm	42



**Models**

MD: Medium Duty

**Classification**

Submersible slurry pump

**Electric motor**

Three-phase squirrel cage motor.  
Speed: 1450 RPM  
Insulation class: H  
Start: Star-Delta / Soft Starter  
Max. number of starts per hour: 12

**Motor protection**

Thermal contacts in the winding.  
Protection: IP 68

**Cable**

4Gx35mm<sup>2</sup> + 2 x 1.5mm<sup>2</sup>, 20m<sup>(\*)</sup>

**Mechanical seals**

Double mechanical seal in oil and water chamber.  
Rotary seal material: Silicon carbide  
Stationary seal material: Silicon carbide  
Elastomers: Viton

**Discharge connection**

8" (\*)

**Limitations**

Maximum submersion: 20m  
Maximum liquid temperature: 40°C  
Liquid pH range: 2 - 11

**Available materials**

Cover: Stainless steel  
Strainer: Stainless steel  
Impeller: Stainless steel  
Agitator: Stainless steel  
Wear plate: Stainless steel  
Cover suction: Stainless steel  
Casing/volute: Stainless steel  
Shaft: AISI 431 Stainless steel  
Screws/Nuts: Stainless steel

This pump must be connected to an external electrical cabinet with adequate protections.

\*Specifications are subject to change without notice.

**Contact Your Local Dowdens Account Manager**

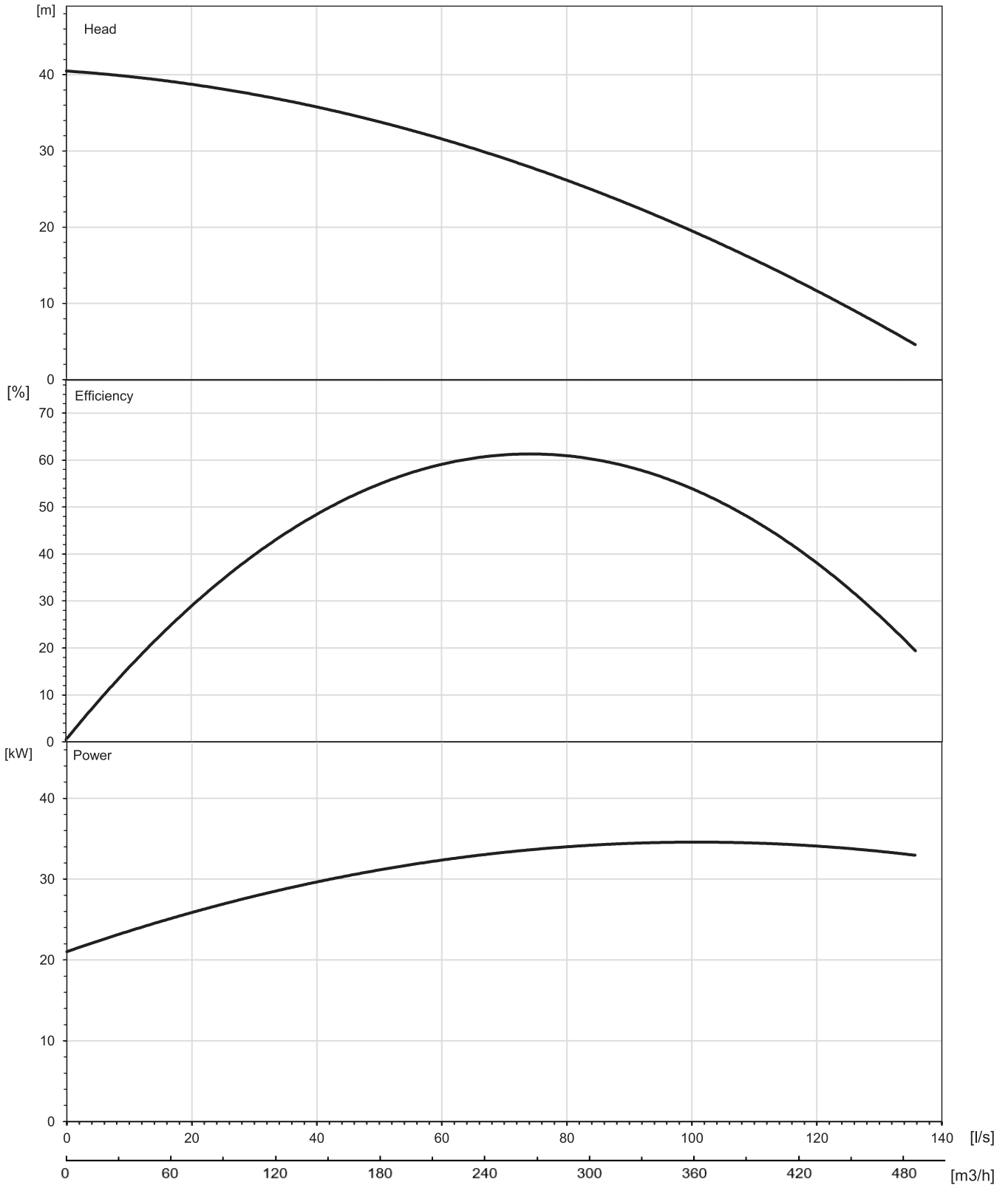
**MACKAY (Head Office)**  
9-15 Industrial St, Mackay Qld 4740  
Phone: 07 4969 4949 Fax: 07 4969 4900  
info@dowdens.com.au

**ROCKHAMPTON**  
4/415 Yaamba Rd, Rockhampton Qld 4701  
Phone: 07 4923 6969 Fax: 07 4923 6900  
info@dowdens.com.au

**BRISBANE**  
45 Fulcrum St, Richlands Qld 4077  
Phone: 07 3828 7000 Fax: 07 3828 7055  
brisbane@dowdens.com.au

**PROSERPINE**  
2 Mann St, Proserpine Qld 4800  
Phone 07 4969 4940 Fax 07 4969 4900  
info@dowdens.com.au





Curve: ISO 9906

**Contact Your Local Dowdens Account Manager**

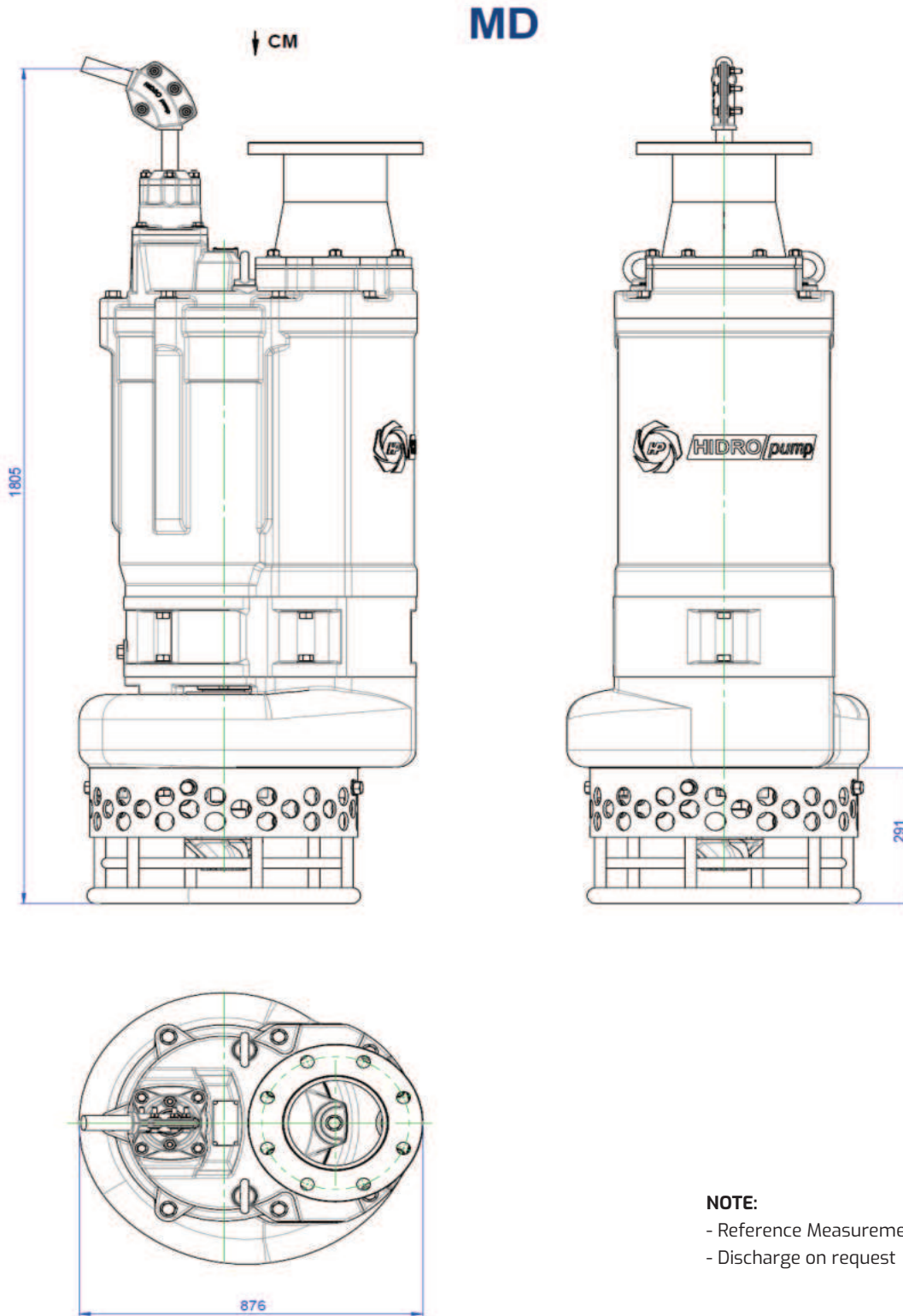
**MACKAY (Head Office)**  
9-15 Industrial St, Mackay Qld 4740  
Phone: 07 4969 4949 Fax: 07 4969 4900  
info@dowdens.com.au

**ROCKHAMPTON**  
4/415 Yaamba Rd, Rockhampton Qld 4701  
Phone: 07 4923 6969 Fax: 07 4923 6900  
info@dowdens.com.au

**BRISBANE**  
45 Fulcrum St, Richlands Qld 4077  
Phone: 07 3828 7000 Fax: 07 3828 7055  
brisbane@dowdens.com.au

**PROSERPINE**  
2 Mann St, Proserpine Qld 4800  
Phone 07 4969 4940 Fax 07 4969 4900  
info@dowdens.com.au





**NOTE:**

- Reference Measurements
- Discharge on request

**Contact Your Local Dowdens Account Manager**

**MACKAY (Head Office)**

9-15 Industrial St, Mackay Qld 4740  
Phone: 07 4969 4949 Fax: 07 4969 4900  
info@dowdens.com.au

**ROCKHAMPTON**

4/415 Yaamba Rd, Rockhampton Qld 4701  
Phone: 07 4923 6969 Fax: 07 4923 6900  
info@dowdens.com.au

**BRISBANE**

45 Fulcrum St, Richlands Qld 4077  
Phone: 07 3828 7000 Fax: 07 3828 7055  
brisbane@dowdens.com.au

**PROSERPINE**

2 Mann St, Proserpine Qld 4800  
Phone 07 4969 4940 Fax 07 4969 4900  
info@dowdens.com.au



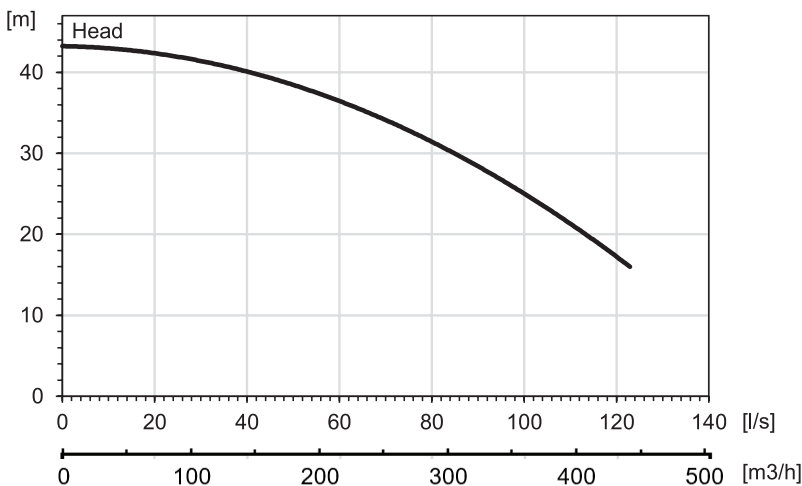
**STAINLESS STEEL**



\*Reference image

Electric submersible slurry pump, available in various cast iron and stainless steel alloys. For applications in mines, and other industries to handle abrasive solids and slurries.

50 Hz	MD
Power, [kW / HP]	60 / 80
Voltage, V	380 / 400 / 500
Nominal current, A	150.9 / 143.4 / 114.7
Weight, kg	1402
Max. height, mm	1850
Max. width, mm	990
Discharge, in.	8"
Strainer opening Ø, mm	45



**Models**

MD: Medium Duty

**Classification**

Submersible slurry pump

**Electric motor**

Three-phase squirrel cage motor.  
Speed: 1450 RPM  
Insulation class: H  
Start: Star-Delta / Soft Starter  
Max. number of starts per hour: 12

**Motor protection**

Thermal contacts in the winding.  
Protection: IP 68

**Cable**

2 Cables 4Gx35mm<sup>2</sup> + 2 x 1.5mm<sup>2</sup>, 20m<sup>(\*)</sup>

**Mechanical seals**

Double mechanical seal in oil and water chamber.  
Rotary seal material: Silicon carbide  
Stationary seal material: Silicon carbide  
Elastomers: Viton

**Discharge connection**

8" (\*)

**Limitations**

Maximum submersion: 20m  
Maximum liquid temperature: 40°C  
Liquid pH range: 2 - 11

**Available materials**

Cover: Stainless steel  
Strainer: Stainless steel  
Impeller: Stainless steel  
Agitator: Stainless steel  
Wear plate: Stainless steel  
Cover suction: Stainless steel  
Casing/volute: Stainless steel  
Shaft: AISI 431 Stainless steel  
Screws/Nuts: Stainless steel

This pump must be connected to an external electrical cabinet with adequate protections.

\*Specifications are subject to change without notice.

**Contact Your Local Dowdens Account Manager**

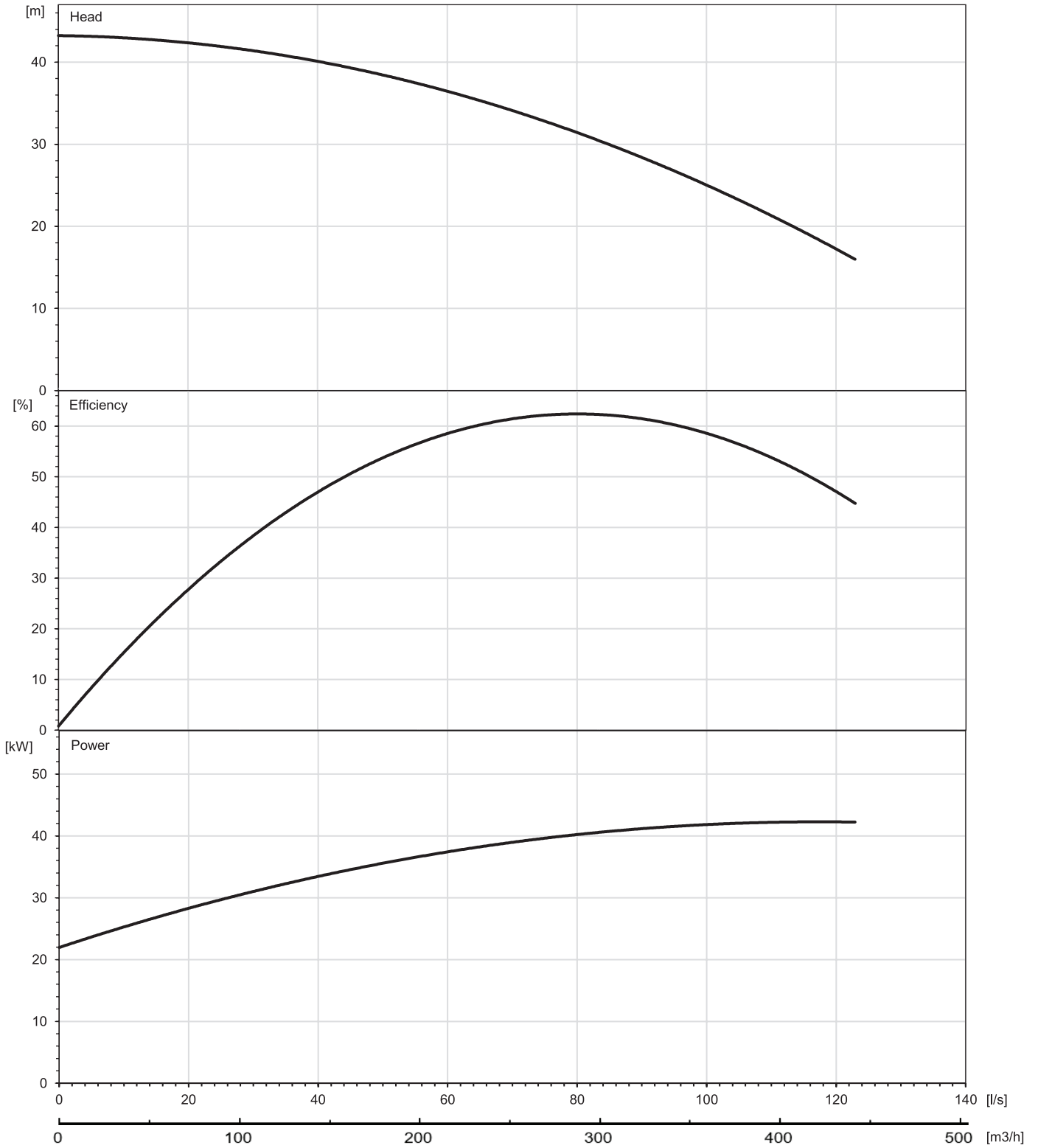
**MACKAY (Head Office)**  
9-15 Industrial St, Mackay Qld 4740  
Phone: 07 4969 4949 Fax: 07 4969 4900  
info@dowdens.com.au

**ROCKHAMPTON**  
4/415 Yaamba Rd, Rockhampton Qld 4701  
Phone: 07 4923 6969 Fax: 07 4923 6900  
info@dowdens.com.au

**BRISBANE**  
45 Fulcrum St, Richlands Qld 4077  
Phone: 07 3828 7000 Fax: 07 3828 7055  
brisbane@dowdens.com.au

**PROSERPINE**  
2 Mann St, Proserpine Qld 4800  
Phone 07 4969 4940 Fax 07 4969 4900  
info@dowdens.com.au





Curve: ISO 9906

**Contact Your Local Dowdens Account Manager**

**MACKAY (Head Office)**

9-15 Industrial St, Mackay Qld 4740  
Phone: 07 4969 4949 Fax: 07 4969 4900  
info@dowdens.com.au

**ROCKHAMPTON**

4/415 Yaamba Rd, Rockhampton Qld 4701  
Phone: 07 4923 6969 Fax: 07 4923 6900  
info@dowdens.com.au

**BRISBANE**

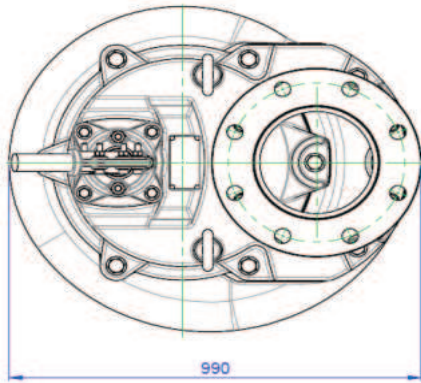
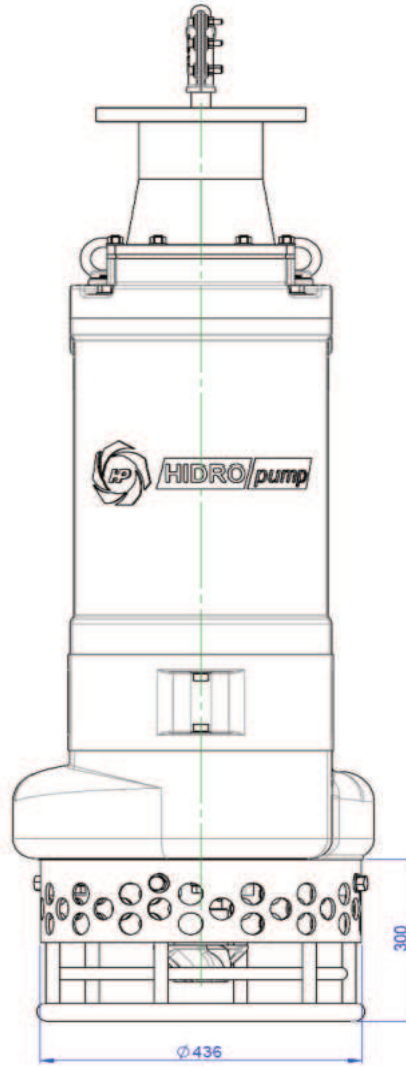
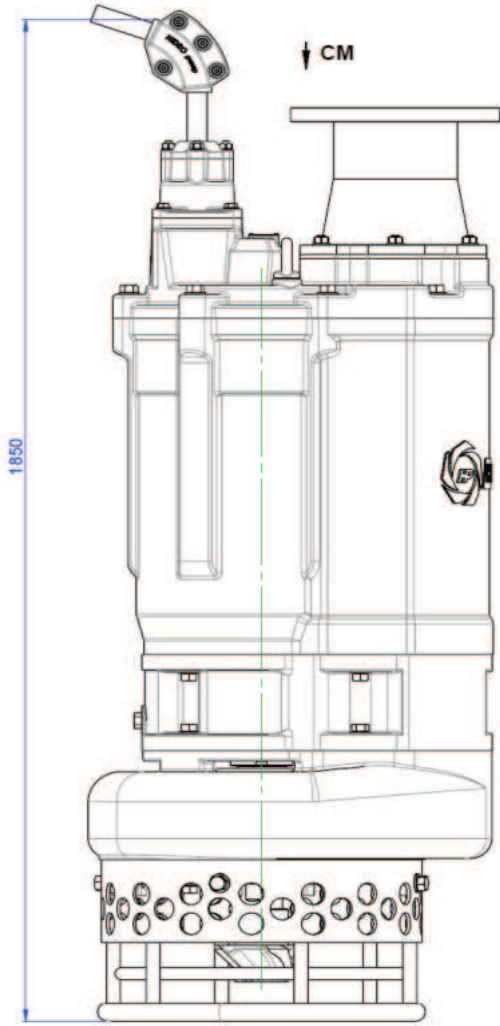
45 Fulcrum St, Richlands Qld 4077  
Phone: 07 3828 7000 Fax: 07 3828 7055  
brisbane@dowdens.com.au

**PROSERPINE**

2 Mann St, Proserpine Qld 4800  
Phone 07 4969 4940 Fax 07 4969 4900  
info@dowdens.com.au



**MD**



**VIEW CM**

**NOTE:**

- Reference Measurements
- Discharge on request

**Contact Your Local Dowdens Account Manager**

**MACKAY (Head Office)**

9-15 Industrial St, Mackay Qld 4740  
Phone: 07 4969 4949 Fax: 07 4969 4900  
info@dowdens.com.au

**ROCKHAMPTON**

4/415 Yaamba Rd, Rockhampton Qld 4701  
Phone: 07 4923 6969 Fax: 07 4923 6900  
info@dowdens.com.au

**BRISBANE**

45 Fulcrum St, Richlands Qld 4077  
Phone: 07 3828 7000 Fax: 07 3828 7055  
brisbane@dowdens.com.au

**PROSERPINE**

2 Mann St, Proserpine Qld 4800  
Phone 07 4969 4940 Fax 07 4969 4900  
info@dowdens.com.au

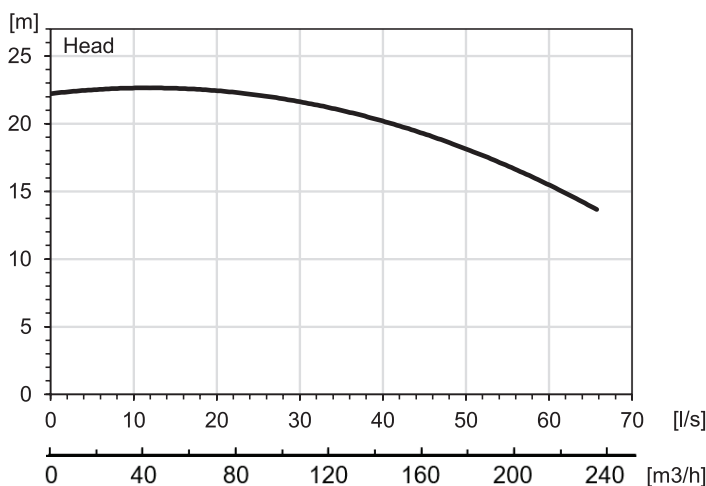


**STAINLESS STEEL**



Electric submersible slurry pump, available in various cast iron and stainless steel alloys. For applications in mines, and other industries to handle abrasive solids and slurries.

50 Hz	HD
Power, [kW / HP]	24.6 / 33
Voltage, V	380 / 400 / 500
Nominal current, A	56 / 53 / 42.6
Weight, kg	635
Max. height, mm	1224
Max. width, mm	724
Discharge, in.	4"
Strainer opening Ø, mm	35



**Models**

HD: Heavy Duty

**Classification**

Submersible slurry pump

**Electric motor**

Three-phase squirrel cage motor.

Speed: 985 RPM

Insulation class: H

Start: Direct / Star-Delta

Max. number of starts per hour: 12

**Motor protection**

Thermal contacts in the winding.

Protection: IP 68

**Cable**

2 Cables 4Gx10mm<sup>2</sup> + 2 x 1.5mm<sup>2</sup>, 20m<sup>(\*)</sup>

**Mechanical seals**

Double lip seals.

Elastomers: Viton

**Discharge connection**

4" Flange ANSI 150 lb. <sup>(\*)</sup>

**Limitations**

Maximum submersion: 20m

Maximum liquid temperature: 40°C

Liquid pH range: 2 - 11

**Available materials**

Cover: Stainless steel

Strainer: Stainless steel

Impeller: Stainless steel

Agitator: Stainless steel

Wear plate: Stainless steel

Cover suction: Stainless steel

Casing/volute: Stainless steel

Shaft: AISI 431 Stainless steel

Screws/Nuts: Stainless steel

This pump must be connected to an external electrical cabinet with adequate protections.

\*Specifications are subject to change without notice.

**Contact Your Local Dowdens Account Manager**

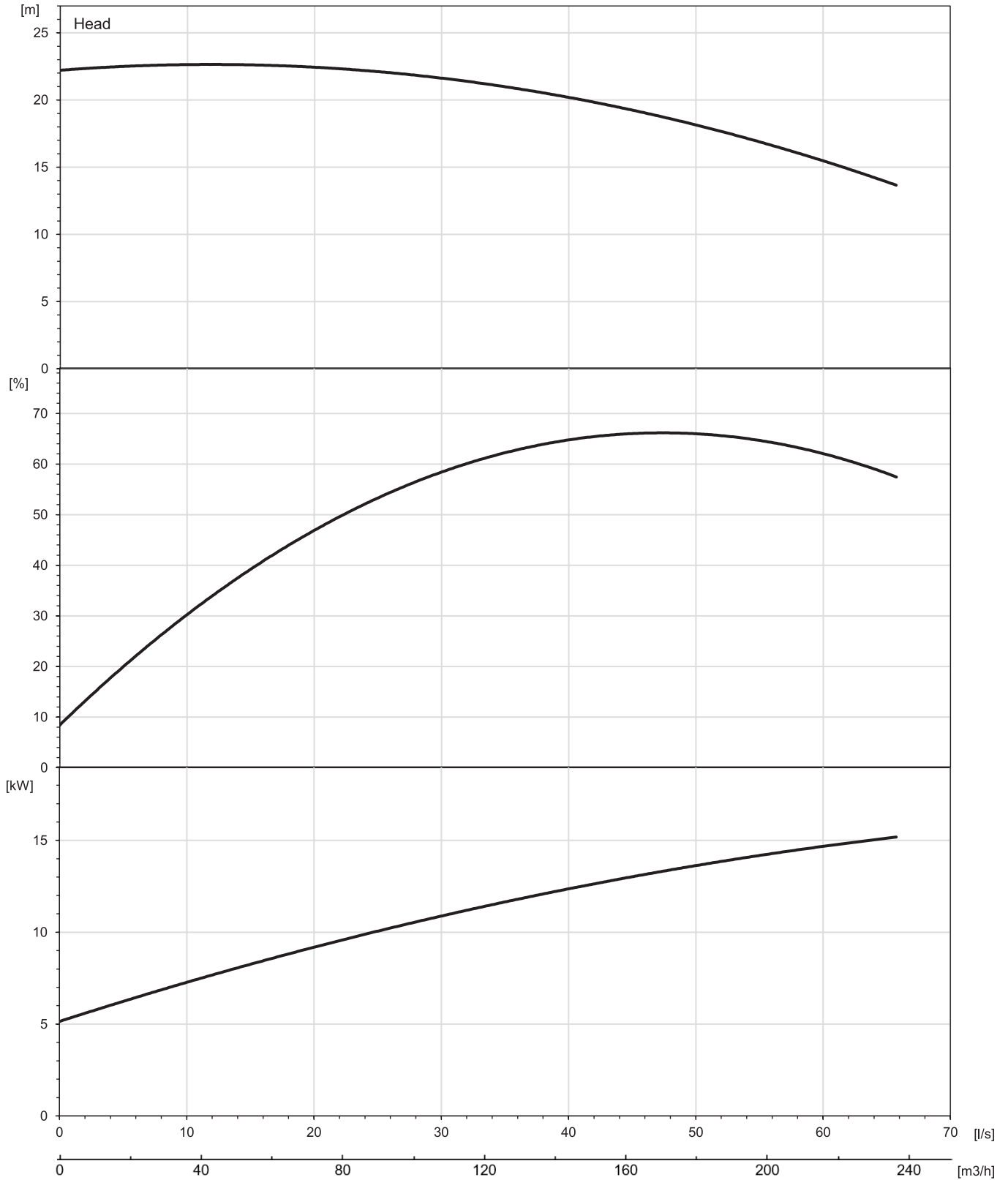
**MACKAY (Head Office)**  
9-15 Industrial St, Mackay Qld 4740  
Phone: 07 4969 4949 Fax: 07 4969 4900  
info@dowdens.com.au

**ROCKHAMPTON**  
4/415 Yaamba Rd, Rockhampton Qld 4701  
Phone: 07 4923 6969 Fax: 07 4923 6900  
info@dowdens.com.au

**BRISBANE**  
45 Fulcrum St, Richlands Qld 4077  
Phone: 07 3828 7000 Fax: 07 3828 7055  
brisbane@dowdens.com.au

**PROSERPINE**  
2 Mann St, Proserpine Qld 4800  
Phone 07 4969 4940 Fax 07 4969 4900  
info@dowdens.com.au





Curve: ISO 9906

**Contact Your Local Dowdens Account Manager**

**MACKAY (Head Office)**  
 9-15 Industrial St, Mackay Qld 4740  
 Phone: 07 4969 4949 Fax: 07 4969 4900  
 info@dowdens.com.au

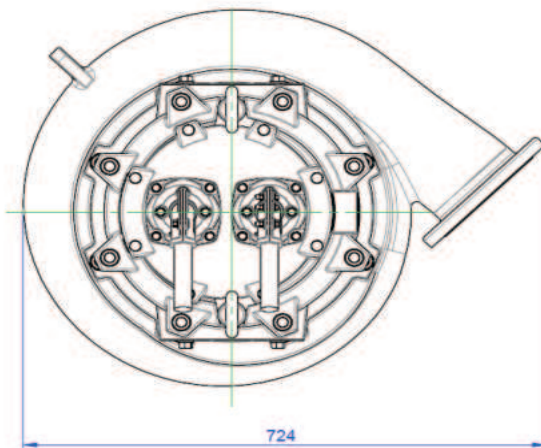
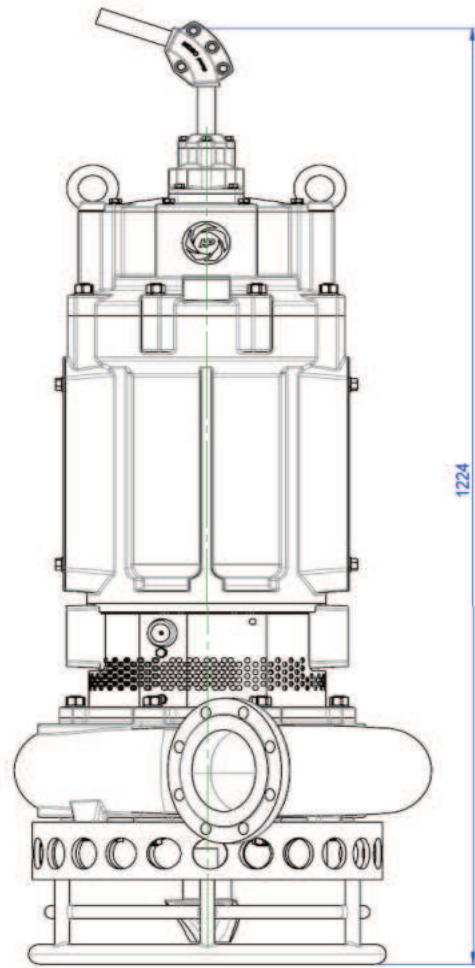
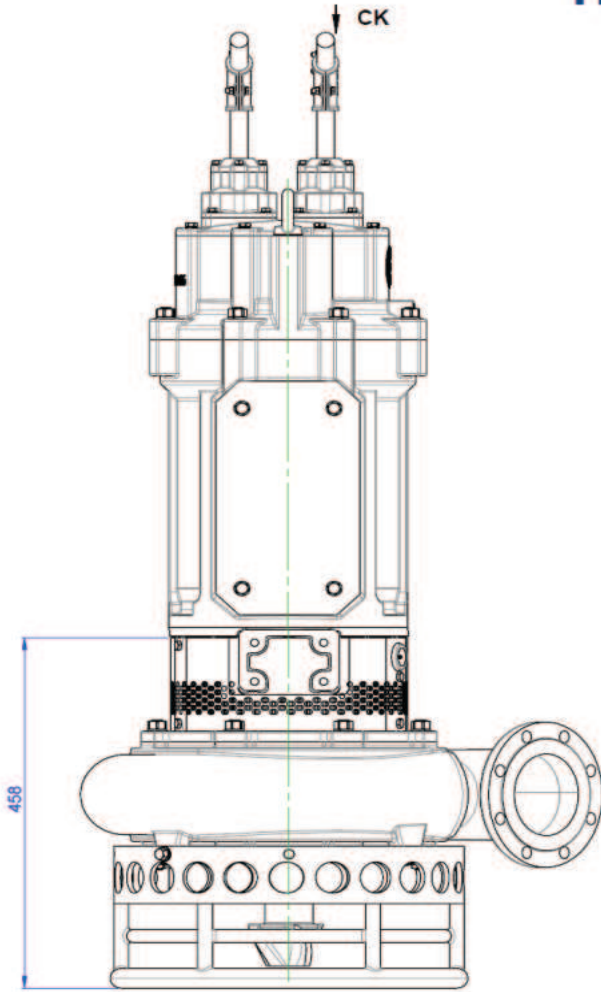
**ROCKHAMPTON**  
 4/415 Yaamba Rd, Rockhampton Qld 4701  
 Phone: 07 4923 6969 Fax: 07 4923 6900  
 info@dowdens.com.au

**BRISBANE**  
 45 Fulcrum St, Richlands Qld 4077  
 Phone: 07 3828 7000 Fax: 07 3828 7055  
 brisbane@dowdens.com.au

**PROSERPINE**  
 2 Mann St, Proserpine Qld 4800  
 Phone 07 4969 4940 Fax 07 4969 4900  
 info@dowdens.com.au



**HD**



**VIEW CK**

**NOTE:**

- Reference Measurements
- Discharge on request

**Contact Your Local Dowdens Account Manager**

**MACKAY (Head Office)**

9-15 Industrial St, Mackay Qld 4740  
Phone: 07 4969 4949 Fax: 07 4969 4900  
info@dowdens.com.au

**ROCKHAMPTON**

4/415 Yaamba Rd, Rockhampton Qld 4701  
Phone: 07 4923 6969 Fax: 07 4923 6900  
info@dowdens.com.au

**BRISBANE**

45 Fulcrum St, Richlands Qld 4077  
Phone: 07 3828 7000 Fax: 07 3828 7055  
brisbane@dowdens.com.au

**PROSERPINE**

2 Mann St, Proserpine Qld 4800  
Phone 07 4969 4940 Fax 07 4969 4900  
info@dowdens.com.au



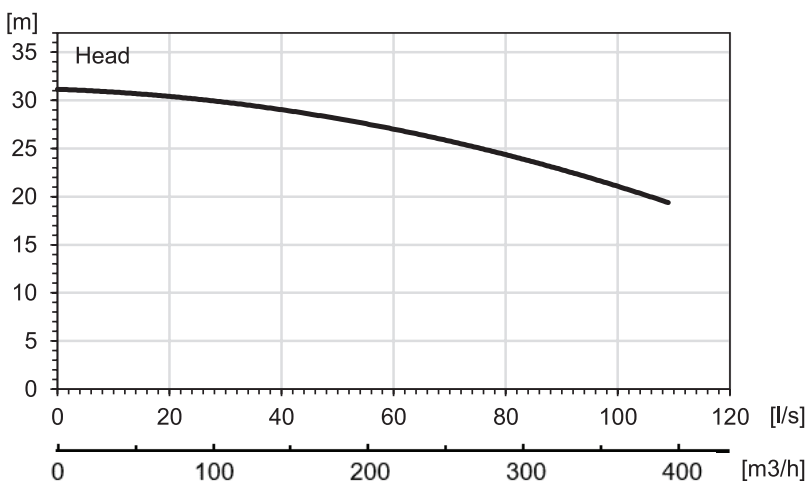
**STAINLESS STEEL**



\*Reference image

Electric submersible slurry pump, available in various cast iron and stainless steel alloys. For applications in mines, and other industries to handle abrasive solids and slurries.

<b>50 Hz</b>	<b>HD</b>
<b>Power, [kW / HP]</b>	45 / 60
<b>Voltage, V</b>	380 / 400 / 500
<b>Nominal current, A</b>	96.1 / 91.2 / 73
<b>Weight, kg</b>	1207
<b>Max. height, mm</b>	1808
<b>Max. width, mm</b>	907
<b>Discharge, in.</b>	6"
<b>Strainer opening Ø, mm</b>	60



**Models**

HD: Heavy Duty

**Classification**

Submersible slurry pump

**Electric motor**

Three-phase squirrel cage motor.

Speed: 989 RPM

Insulation class: H

Start: Star-Delta / Soft Starter

Max. number of starts per hour: 12

**Motor protection**

Thermal contacts in the winding.

Protection: IP 68

**Cable**

2 Cables 4Gx16mm<sup>2</sup> + 2 x 1.5mm<sup>2</sup>, 20m<sup>(\*)</sup>

**Mechanical seals**

Double lip seals.

Elastomers: Viton

**Discharge connection**

6" Flange ANSI 150 lb. <sup>(\*)</sup>

**Limitations**

Maximum submersion: 20m

Maximum liquid temperature: 40°C

Liquid pH range: 2 - 11

**Available materials**

Cover: Stainless steel

Strainer: Stainless steel

Impeller: Stainless steel

Agitator: Stainless steel

Wear plate: Stainless steel

Cover suction: Stainless steel

Casing/volute: Stainless steel

Shaft: AISI 431 Stainless steel

Screws/Nuts: Stainless steel

This pump must be connected to an external electrical cabinet with adequate protections.

\*Specifications are subject to change without notice.

**Contact Your Local Dowdens Account Manager**

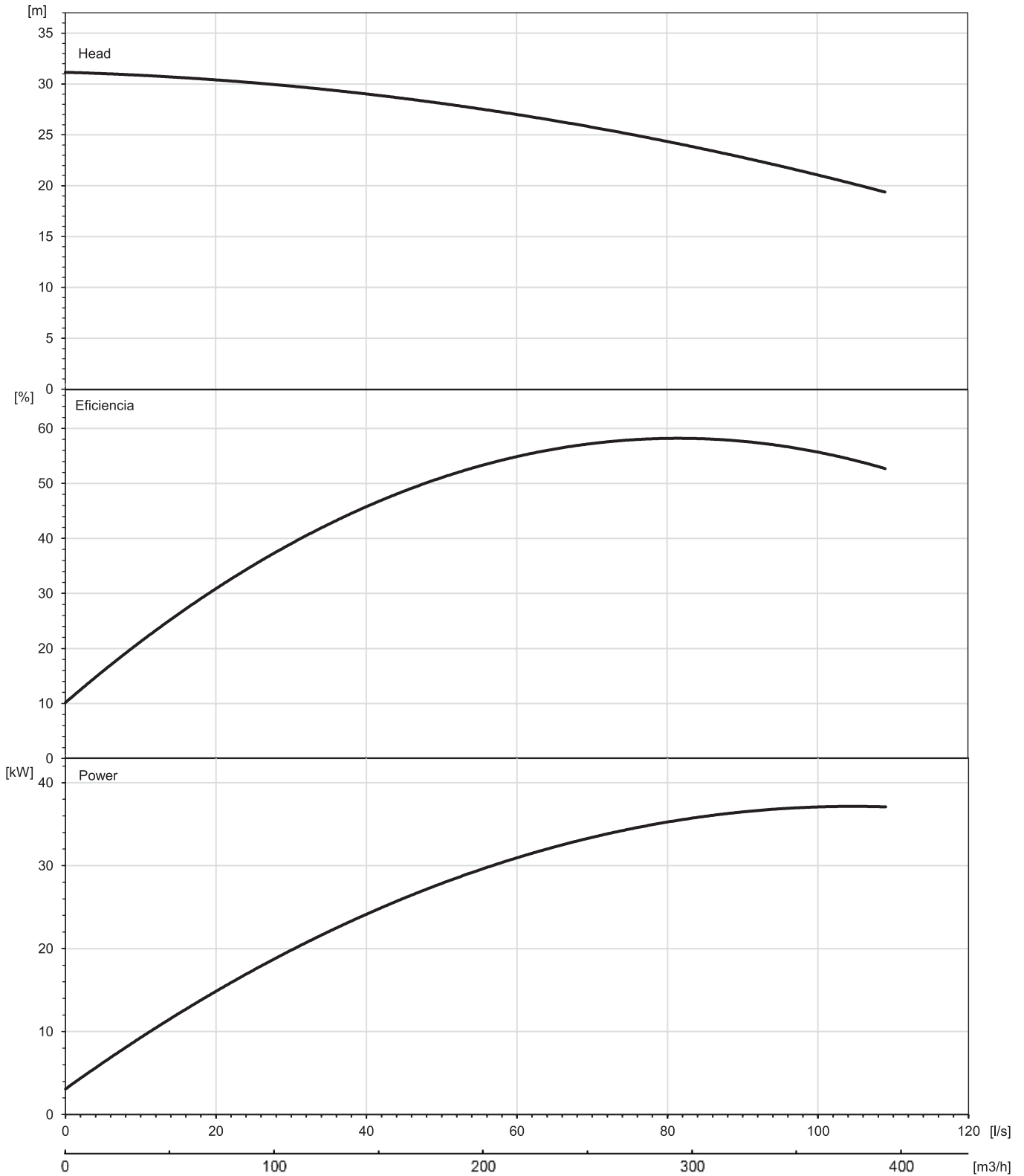
**MACKAY (Head Office)**  
9-15 Industrial St, Mackay Qld 4740  
Phone: 07 4969 4949 Fax: 07 4969 4900  
info@dowdens.com.au

**ROCKHAMPTON**  
4/415 Yaamba Rd, Rockhampton Qld 4701  
Phone: 07 4923 6969 Fax: 07 4923 6900  
info@dowdens.com.au

**BRISBANE**  
45 Fulcrum St, Richlands Qld 4077  
Phone: 07 3828 7000 Fax: 07 3828 7055  
brisbane@dowdens.com.au

**PROSERPINE**  
2 Mann St, Proserpine Qld 4800  
Phone 07 4969 4940 Fax 07 4969 4900  
info@dowdens.com.au





Curve: ISO 9906

**Contact Your Local Dowdens Account Manager**

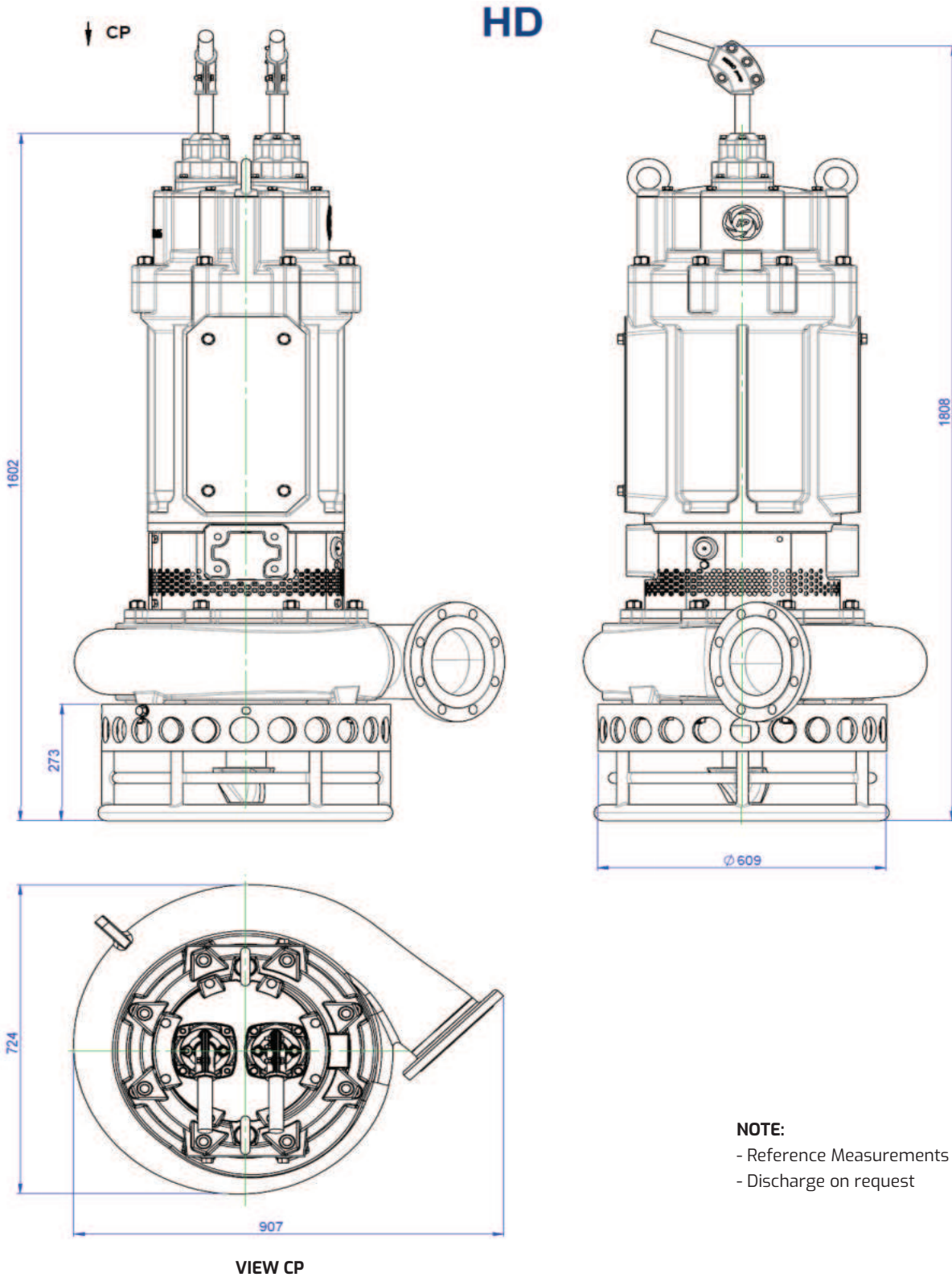
**MACKAY (Head Office)**  
 9-15 Industrial St, Mackay Qld 4740  
 Phone: 07 4969 4949 Fax: 07 4969 4900  
 info@dowdens.com.au

**ROCKHAMPTON**  
 4/415 Yaamba Rd, Rockhampton Qld 4701  
 Phone: 07 4923 6969 Fax: 07 4923 6900  
 info@dowdens.com.au

**BRISBANE**  
 45 Fulcrum St, Richlands Qld 4077  
 Phone: 07 3828 7000 Fax: 07 3828 7055  
 brisbane@dowdens.com.au

**PROSERPINE**  
 2 Mann St, Proserpine Qld 4800  
 Phone 07 4969 4940 Fax 07 4969 4900  
 info@dowdens.com.au



**NOTE:**

- Reference Measurements
- Discharge on request

**Contact Your Local Dowdens Account Manager**

**MACKAY (Head Office)**

9-15 Industrial St, Mackay Qld 4740  
Phone: 07 4969 4949 Fax: 07 4969 4900  
info@dowdens.com.au

**ROCKHAMPTON**

4/415 Yaamba Rd, Rockhampton Qld 4701  
Phone: 07 4923 6969 Fax: 07 4923 6900  
info@dowdens.com.au

**BRISBANE**

45 Fulcrum St, Richlands Qld 4077  
Phone: 07 3828 7000 Fax: 07 3828 7055  
brisbane@dowdens.com.au

**PROSERPINE**

2 Mann St, Proserpine Qld 4800  
Phone 07 4969 4940 Fax 07 4969 4900  
info@dowdens.com.au

**DOWDENS**  
**PUMPING & WATER TREATMENT**  
*Making water work for you*

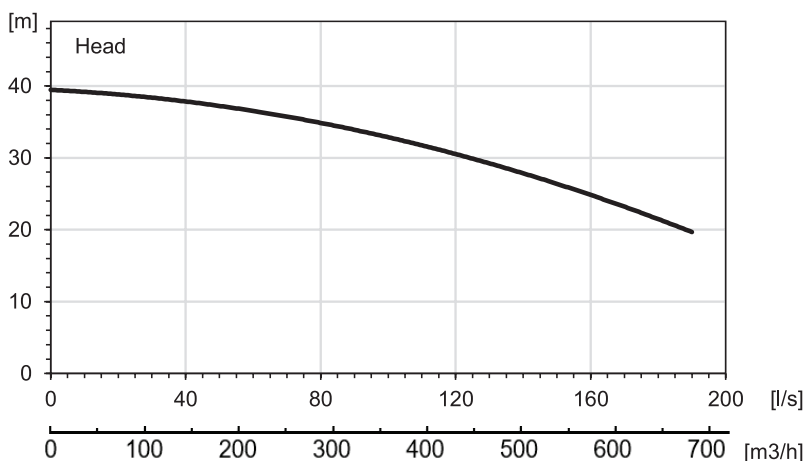
[www.dowdens.com.au](http://www.dowdens.com.au)

## STAINLESS STEEL



Electric submersible slurry pump, available in various cast iron and stainless steel alloys. For applications in mines, and other industries to handle abrasive solids and slurries.

50 Hz	HD
Power, [kW / HP]	78 / 105
Voltage, V	380 / 400 / 500
Nominal current, A	218 / 207 / 165.7
Weight, kg	2100
Max. height, mm	1875
Max. width, mm	1250
Discharge, in.	8"
Strainer opening Ø, mm	60



### Models

HD: Heavy Duty

### Classification

Submersible slurry pump

### Electric motor

Three-phase squirrel cage motor.  
Speed: 950 RPM  
Insulation class: H  
Start: Soft Starter  
Max. number of starts per hour: 12

### Motor protection

Thermal contacts in the winding.  
Protection: IP 68

### Cable

2 Cables 4Gx35mm<sup>2</sup> + 2 x 1.5mm<sup>2</sup>, 20m<sup>(\*)</sup>

### Mechanical seals

Double lip seals.  
Elastomers: Viton

### Discharge connection

8" Flange ANSI 150 lb. <sup>(\*)</sup>

### Limitations

Maximum submersion: 20m  
Maximum liquid temperature: 40°C  
Liquid pH range: 2 - 11

### Available materials

Cover: Stainless steel  
Strainer: Stainless steel  
Impeller: Stainless steel  
Agitator: Stainless steel  
Wear plate: Stainless steel  
Cover suction: Stainless steel  
Casing/volute: Stainless steel  
Shaft: AISI 431 Stainless steel  
Screws/Nuts: Stainless steel

This pump must be connected to an external electrical cabinet with adequate protections.

\*Specifications are subject to change without notice.

## Contact Your Local Dowdens Account Manager

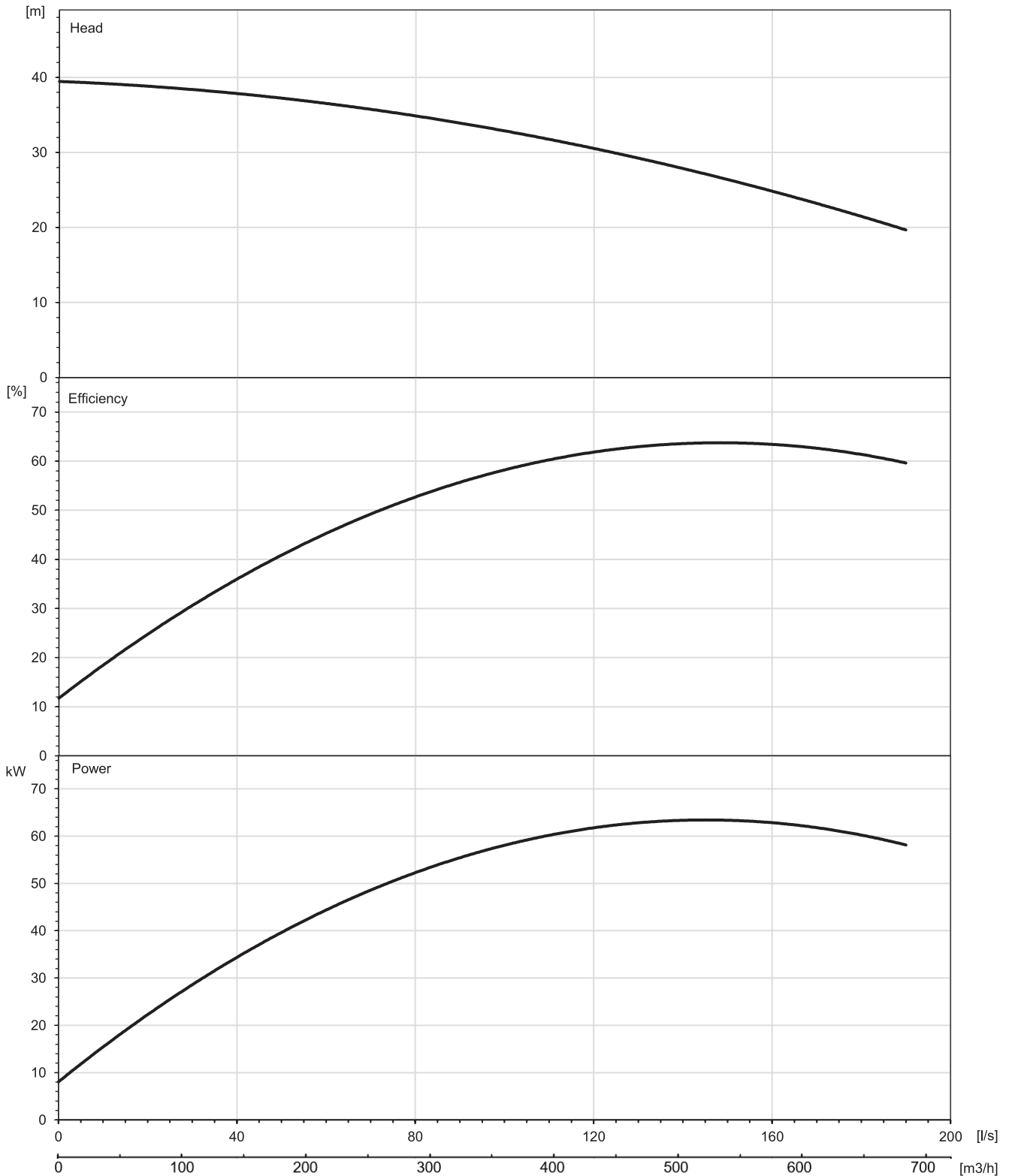
**MACKAY (Head Office)**  
9-15 Industrial St, Mackay Qld 4740  
Phone: 07 4969 4949 Fax: 07 4969 4900  
info@dowdens.com.au

**ROCKHAMPTON**  
4/415 Yaamba Rd, Rockhampton Qld 4701  
Phone: 07 4923 6969 Fax: 07 4923 6900  
info@dowdens.com.au

**BRISBANE**  
45 Fulcrum St, Richlands Qld 4077  
Phone: 07 3828 7000 Fax: 07 3828 7055  
brisbane@dowdens.com.au

**PROSERPINE**  
2 Mann St, Proserpine Qld 4800  
Phone 07 4969 4940 Fax 07 4969 4900  
info@dowdens.com.au





Curve: ISO 9906

**Contact Your Local Dowdens Account Manager**

**MACKAY (Head Office)**

9-15 Industrial St, Mackay Qld 4740  
Phone: 07 4969 4949 Fax: 07 4969 4900  
info@dowdens.com.au

**ROCKHAMPTON**

4/415 Yaamba Rd, Rockhampton Qld 4701  
Phone: 07 4923 6969 Fax: 07 4923 6900  
info@dowdens.com.au

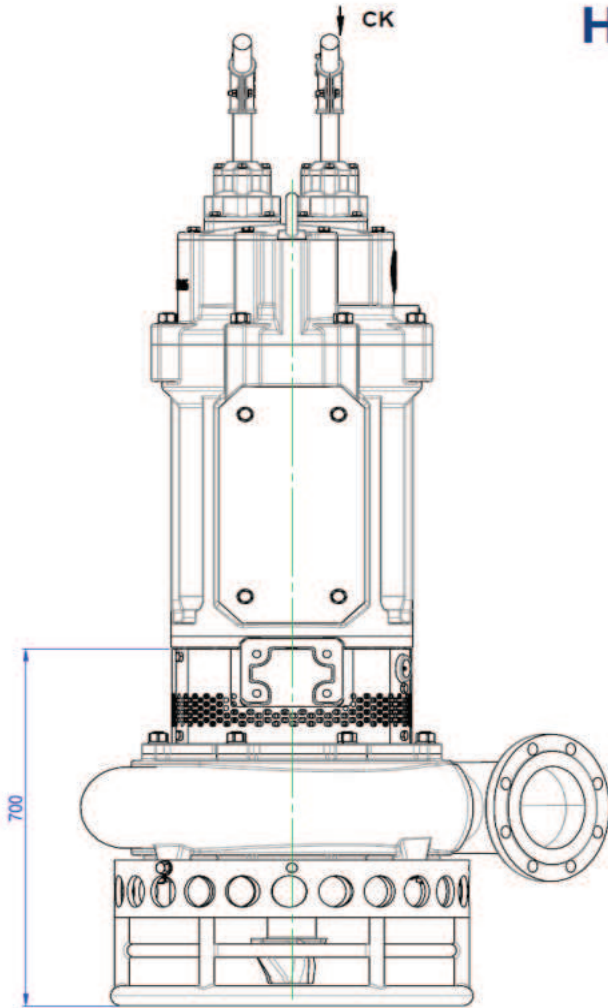
**BRISBANE**

45 Fulcrum St, Richlands Qld 4077  
Phone: 07 3828 7000 Fax: 07 3828 7055  
brisbane@dowdens.com.au

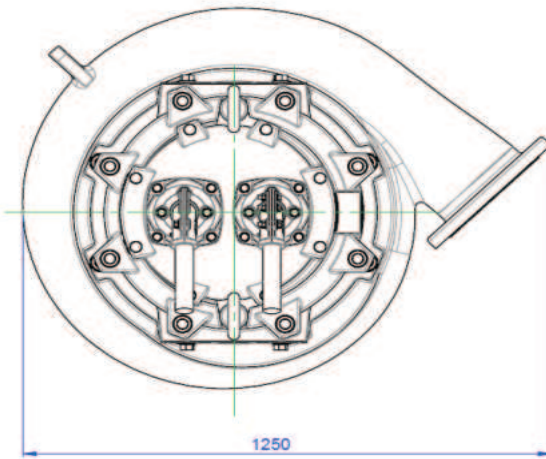
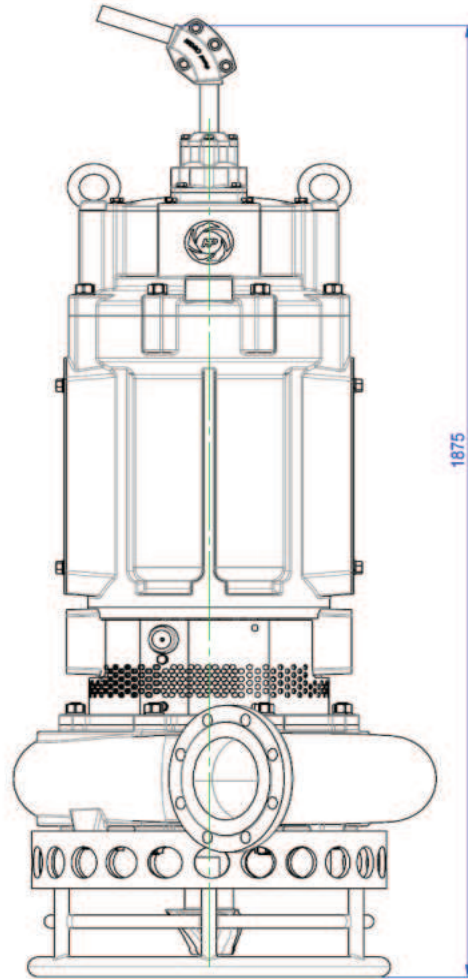
**PROSERPINE**

2 Mann St, Proserpine Qld 4800  
Phone 07 4969 4940 Fax 07 4969 4900  
info@dowdens.com.au





**HD**



**VIEW CK**

**NOTE:**

- Reference Measurements
- Discharge on request

**Contact Your Local Dowdens Account Manager**

**MACKAY (Head Office)**

9-15 Industrial St, Mackay Qld 4740  
Phone: 07 4969 4949 Fax: 07 4969 4900  
info@dowdens.com.au

**ROCKHAMPTON**

4/415 Yaamba Rd, Rockhampton Qld 4701  
Phone: 07 4923 6969 Fax: 07 4923 6900  
info@dowdens.com.au

**BRISBANE**

45 Fulcrum St, Richlands Qld 4077  
Phone: 07 3828 7000 Fax: 07 3828 7055  
brisbane@dowdens.com.au

**PROSERPINE**

2 Mann St, Proserpine Qld 4800  
Phone 07 4969 4940 Fax 07 4969 4900  
info@dowdens.com.au





Email: [info@dowdens.com.au](mailto:info@dowdens.com.au)  
[dowdens.com.au/brands/hidro-pump](http://dowdens.com.au/brands/hidro-pump)



[hidropump.com](http://hidropump.com)