

Submittal Data

| | | |
|-----------------------|------------------|-------------|
| PROJECT: | UNIT TAG: | QUANTITY: |
| REPRESENTATIVE: _____ | TYPE OF SERVICE: | DATE: _____ |
| ENGINEER: | SUBMITTED BY: | DATE: |
| CONTRACTOR: | APPROVED BY: | DATE: |
| | ORDER NO.: | DATE: |

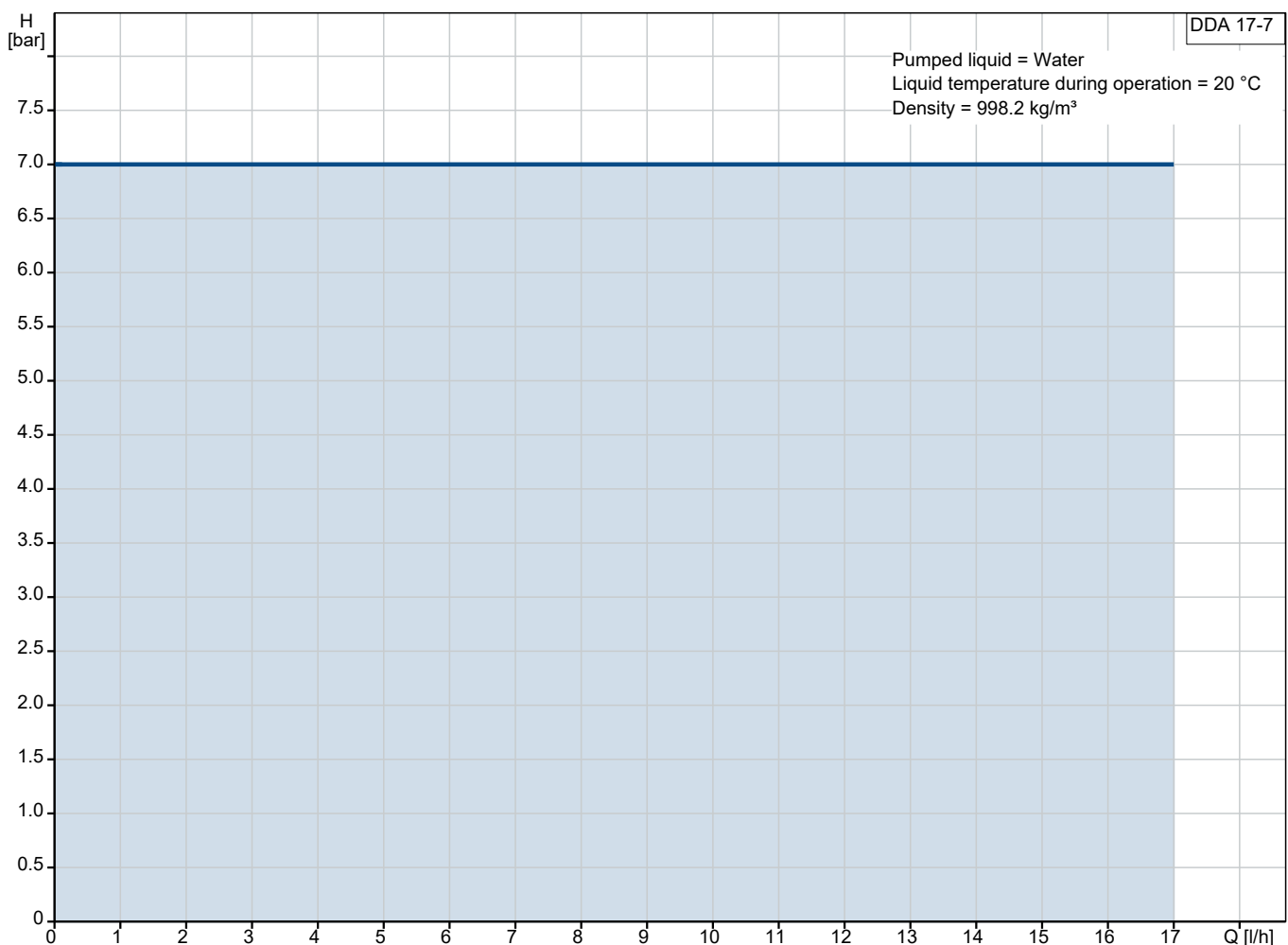


DDA 17-7 FCM-C-PVC/T/C-F-31U2U2IG

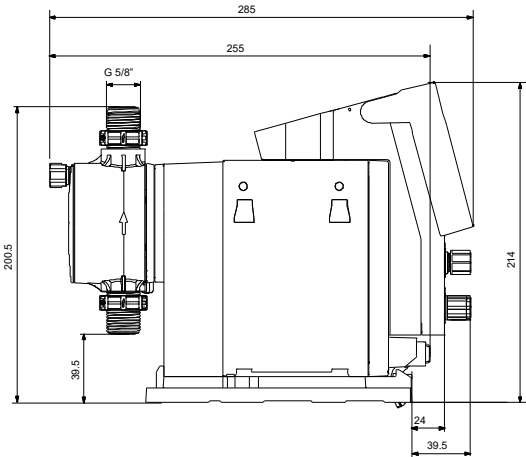
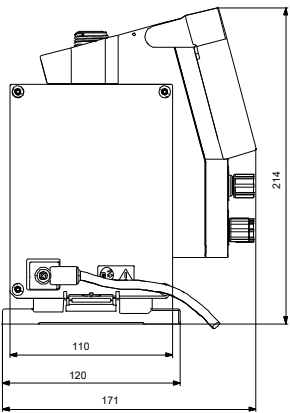
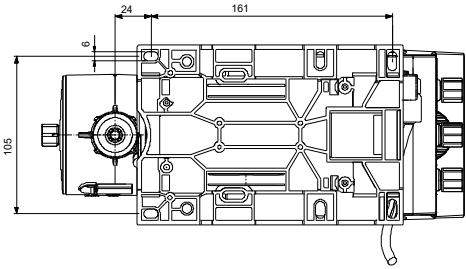
SMART Digital diaphragm dosing pump with internal brushless motor drive. High-end solution for complex and demanding applications (Digital Dosing Advanced).

Note! Product picture may differ from actual product

| Conditions of Service | | Pump Data | | Motor Data | |
|-----------------------|-------|------------------------------|------------|------------------|----------------|
| Liquid: | Water | Maximum operating pressure: | 7 bar | Rated voltage: | 100-240 V |
| Temperature: | 20 °C | Liquid temperature range: | 0 .. 45 °C | Mains frequency: | 50 / 60 Hz |
| Specific Gravity: | 1.000 | Maximum ambient temperature: | 45 °C | Enclosure class: | IP65 / TYPE 4X |
| | | Product number: | On request | | |



Submittal Data



Materials:
Dosing head: PVC (Polyvinyl chloride)
Valve ball: Ceramic
Gasket: PTFE



Company name:

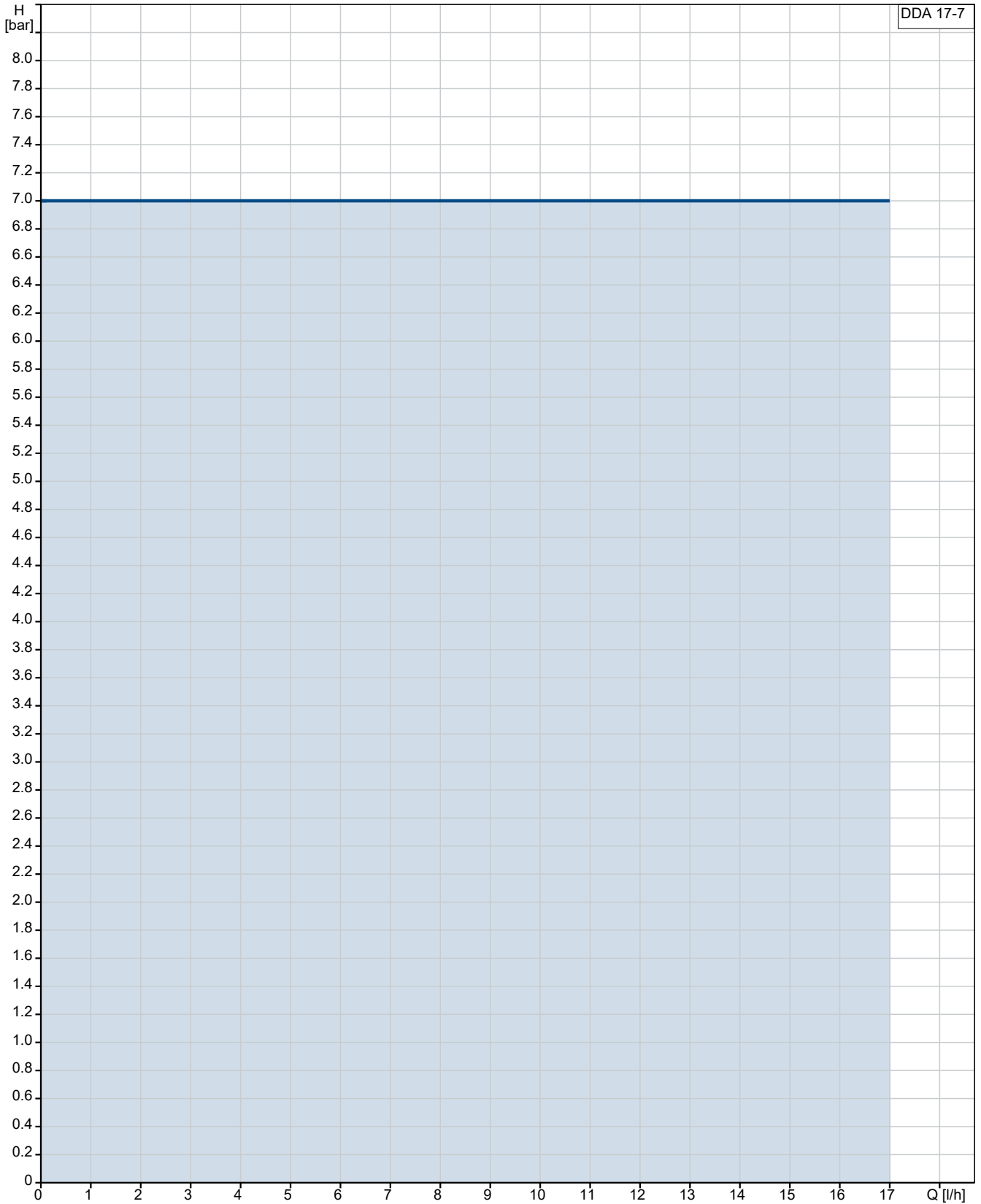
Created by:

Phone:

Date:

12/06/2025

On request DDA 17-7 FCM-C-PVC/T/C-F-31U2U2IG



Pumped liquid = Water

Liquid temperature during operation = 20 °C

Density = 998.2 kg/m³



Company name:

Created by:

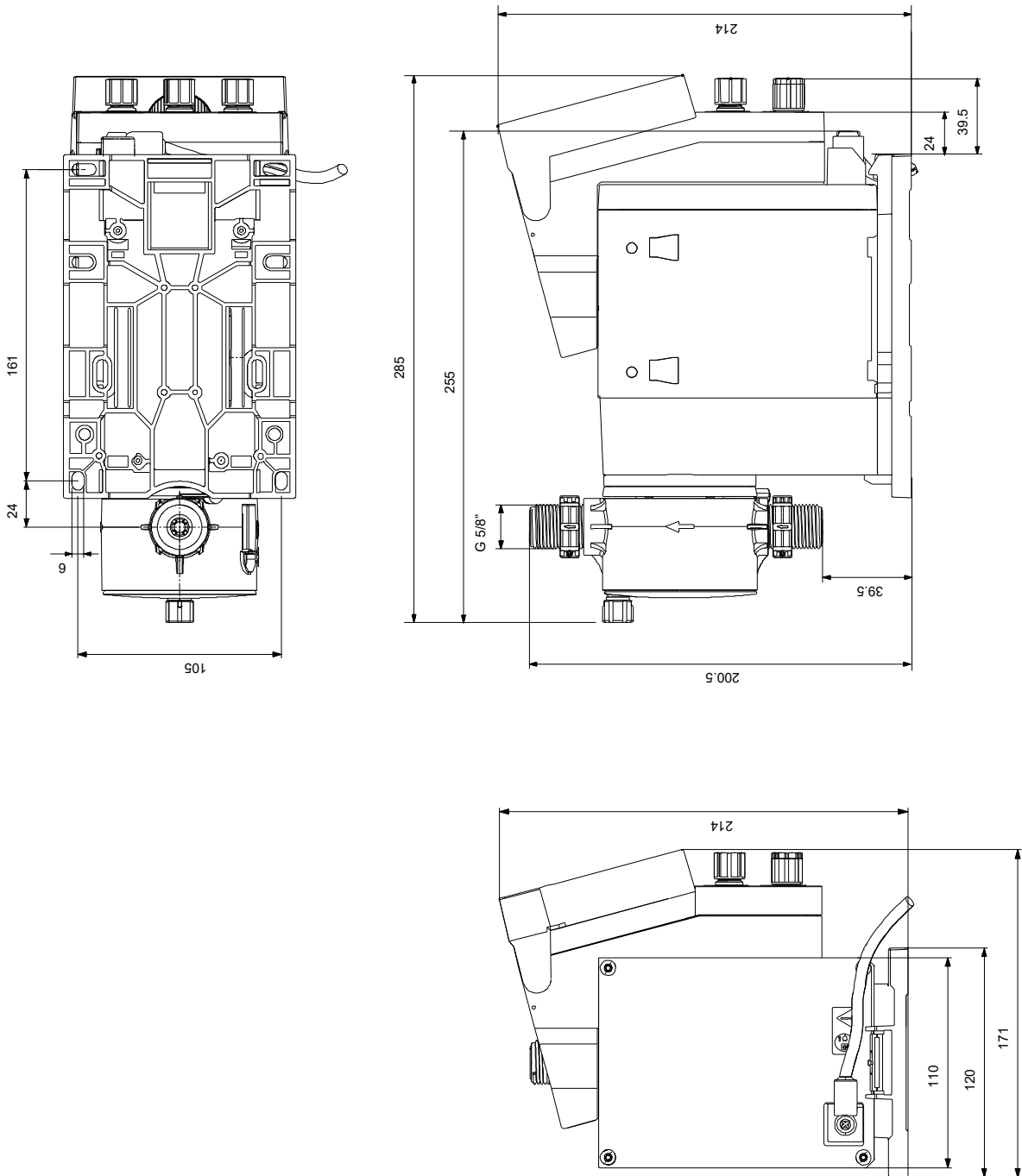
Phone:

Date:

12/06/2025

| Description | Value |
|----------------|-------|
| Others: | |
| Net weight: | 2 kg |
| Gross weight: | 3 kg |
| Colour: | RED |

On request DDA 17-7 FCM-C-PVC/T/C-F-31U2U2IG



Note! All units are in [mm] unless others are stated.
Disclaimer: This simplified dimensional drawing does not show all details.

