

# Submittal Data

PROJECT: _____	UNIT TAG: _____	QUANTITY: _____
REPRESENTATIVE: _____	TYPE OF SERVICE: _____	DATE: _____
ENGINEER: _____	SUBMITTED BY: _____	DATE: _____
CONTRACTOR: _____	APPROVED BY: _____	DATE: _____
	ORDER NO.: _____	DATE: _____

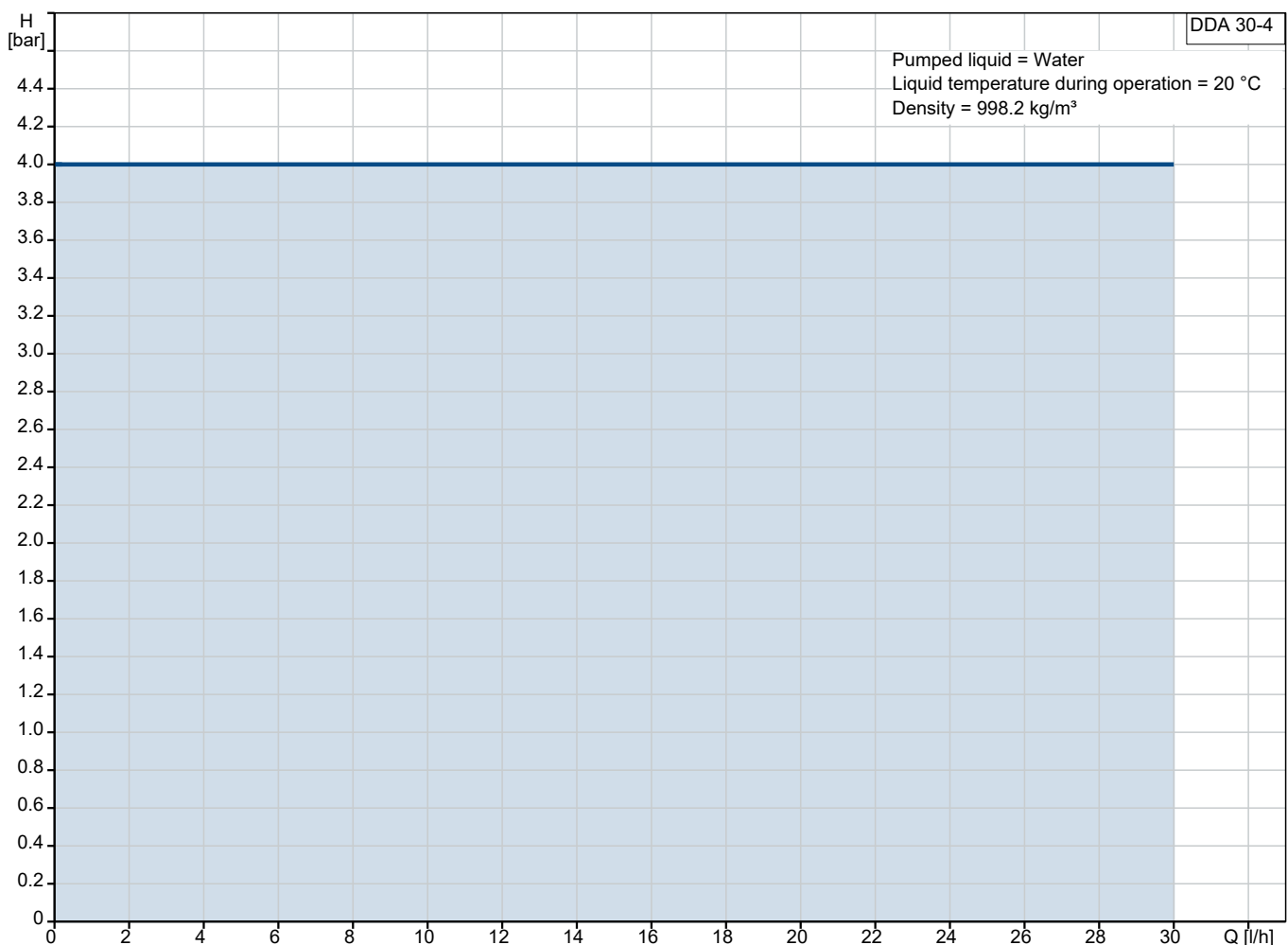


## DDA 30-4 AR-C-PVC/E/C-F-31U2U2IG

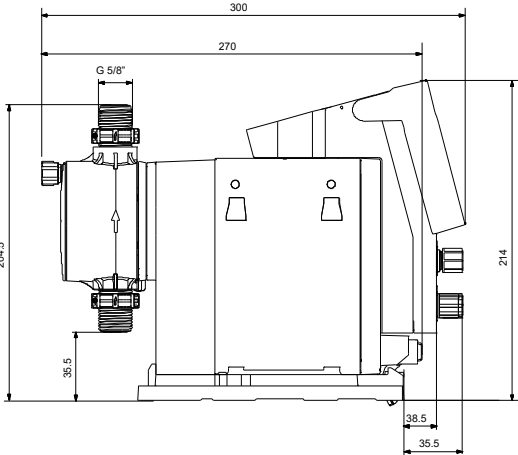
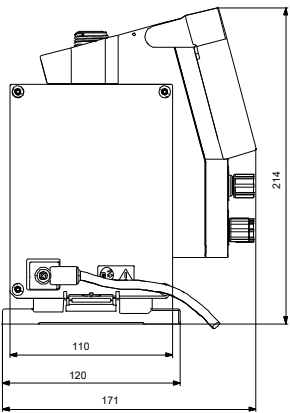
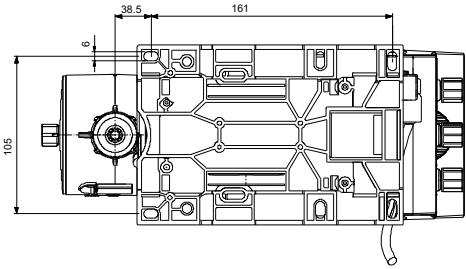
SMART Digital diaphragm dosing pump with internal brushless motor drive. High-end solution for complex and demanding applications (Digital Dosing Advanced).

Note! Product picture may differ from actual product

Conditions of Service		Pump Data		Motor Data	
Liquid:	Water	Maximum operating pressure:	4 bar	Rated voltage:	100-240 V
Temperature:	20 °C	Liquid temperature range:	0 .. 45 °C	Mains frequency:	50 / 60 Hz
Specific Gravity:	1.000	Maximum ambient temperature:	45 °C	Enclosure class:	IP65 / TYPE 4X
		Product number:	93242997		



# Submittal Data



**Materials:**  
Dosing head: PVC (Polyvinyl chloride)  
Valve ball: Ceramic  
Gasket: EPDM



Company name:

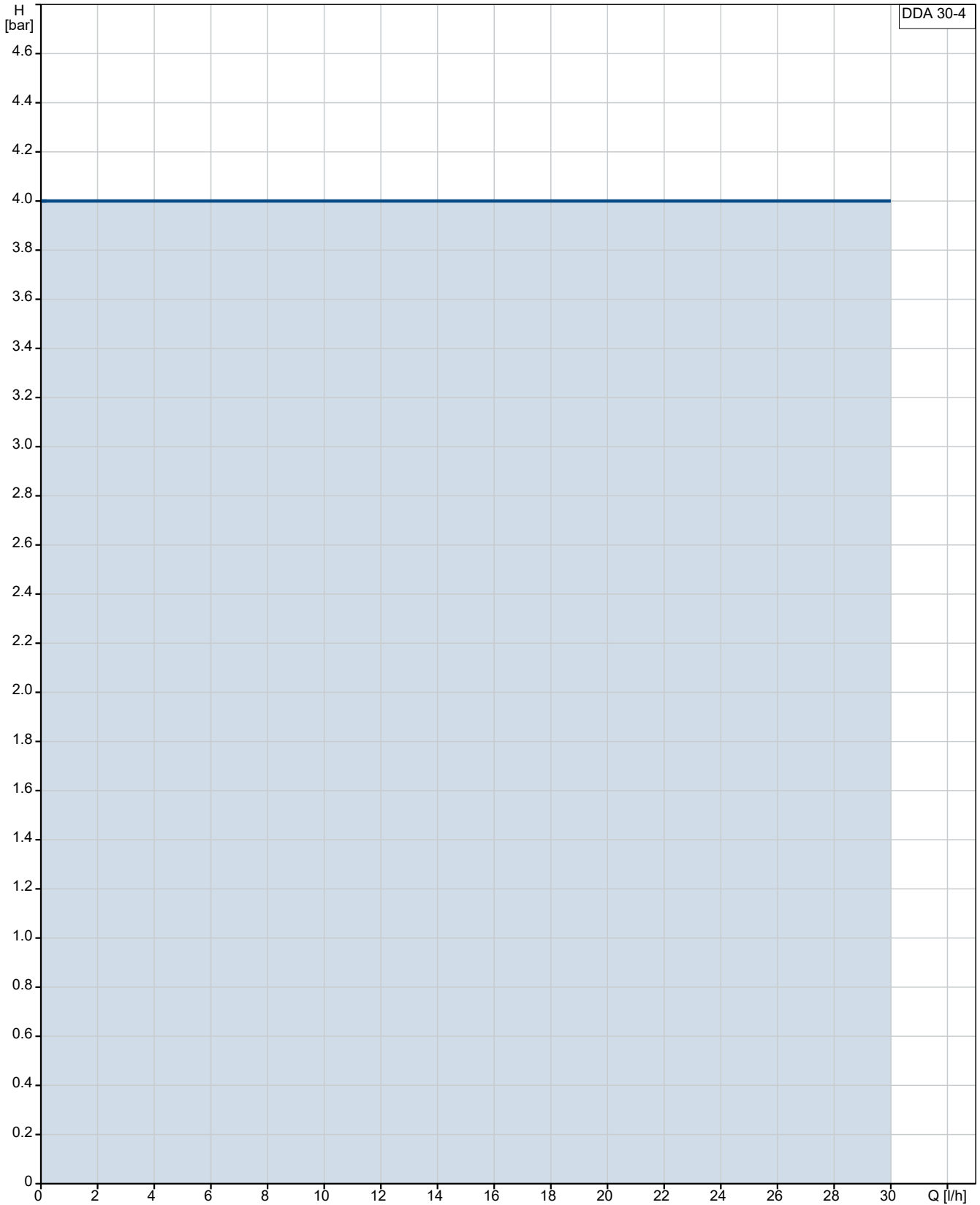
Created by:

Phone:

Date:

09/06/2025

## 93242997 DDA 30-4 AR-C-PVC/E/C-F-31U2U2IG



Pumped liquid = Water

Liquid temperature during operation = 20 °C

Density = 998.2 kg/m<sup>3</sup>





Company name:

Created by:

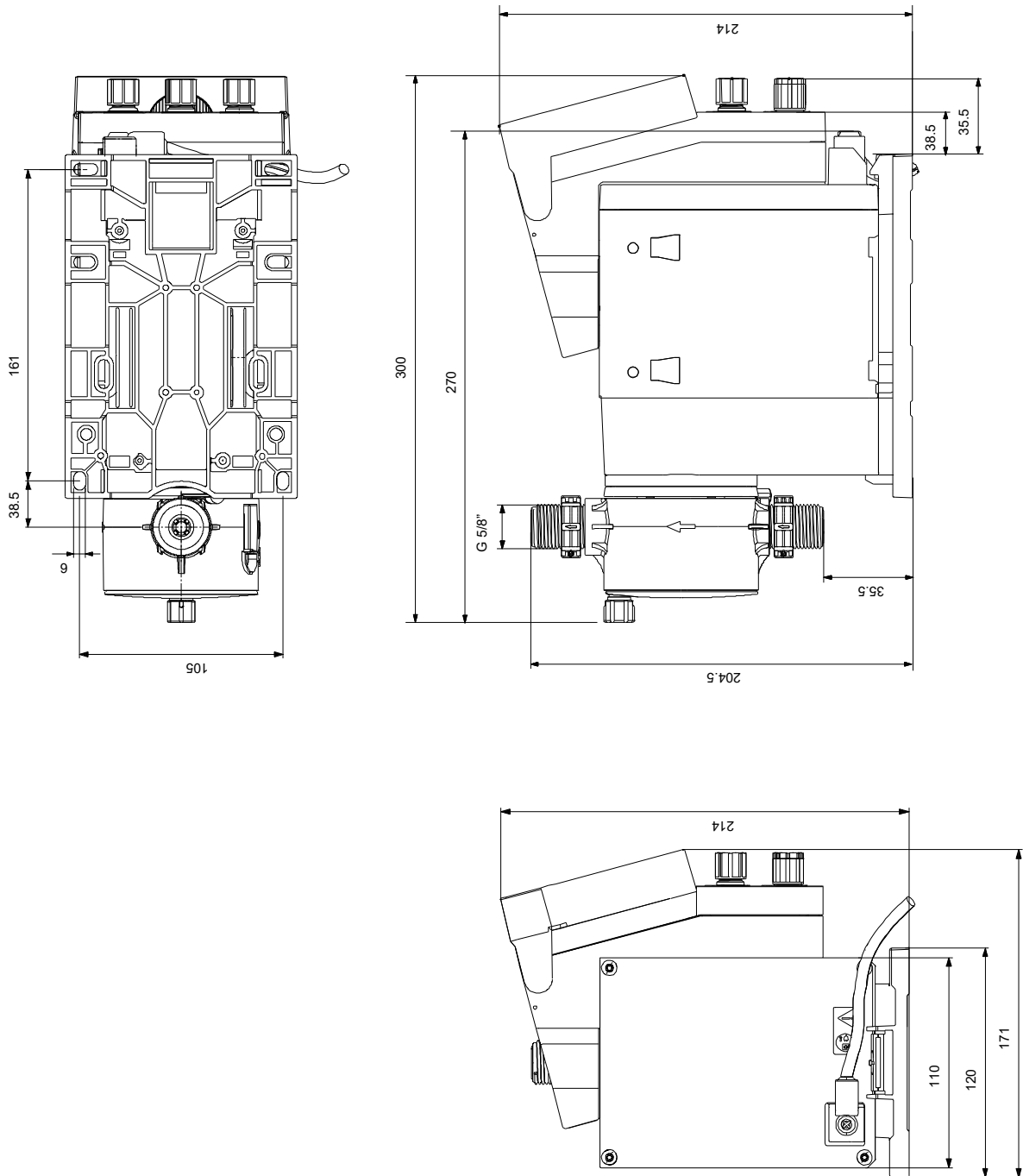
Phone:

Date:

09/06/2025

Description	Value
<b>Others:</b>	
Net weight:	3 kg
Gross weight:	3 kg
Colour:	RED

## 93242997 DDA 30-4 AR-C-PVC/E/C-F-31U2U2IG



Note! All units are in [mm] unless others are stated.  
Disclaimer: This simplified dimensional drawing does not show all details.

