

Submittal Data

PROJECT:	UNIT TAG:	QUANTITY:
REPRESENTATIVE: _____	TYPE OF SERVICE:	DATE: _____
ENGINEER:	SUBMITTED BY:	DATE:
CONTRACTOR:	APPROVED BY:	DATE:
	ORDER NO.:	DATE:

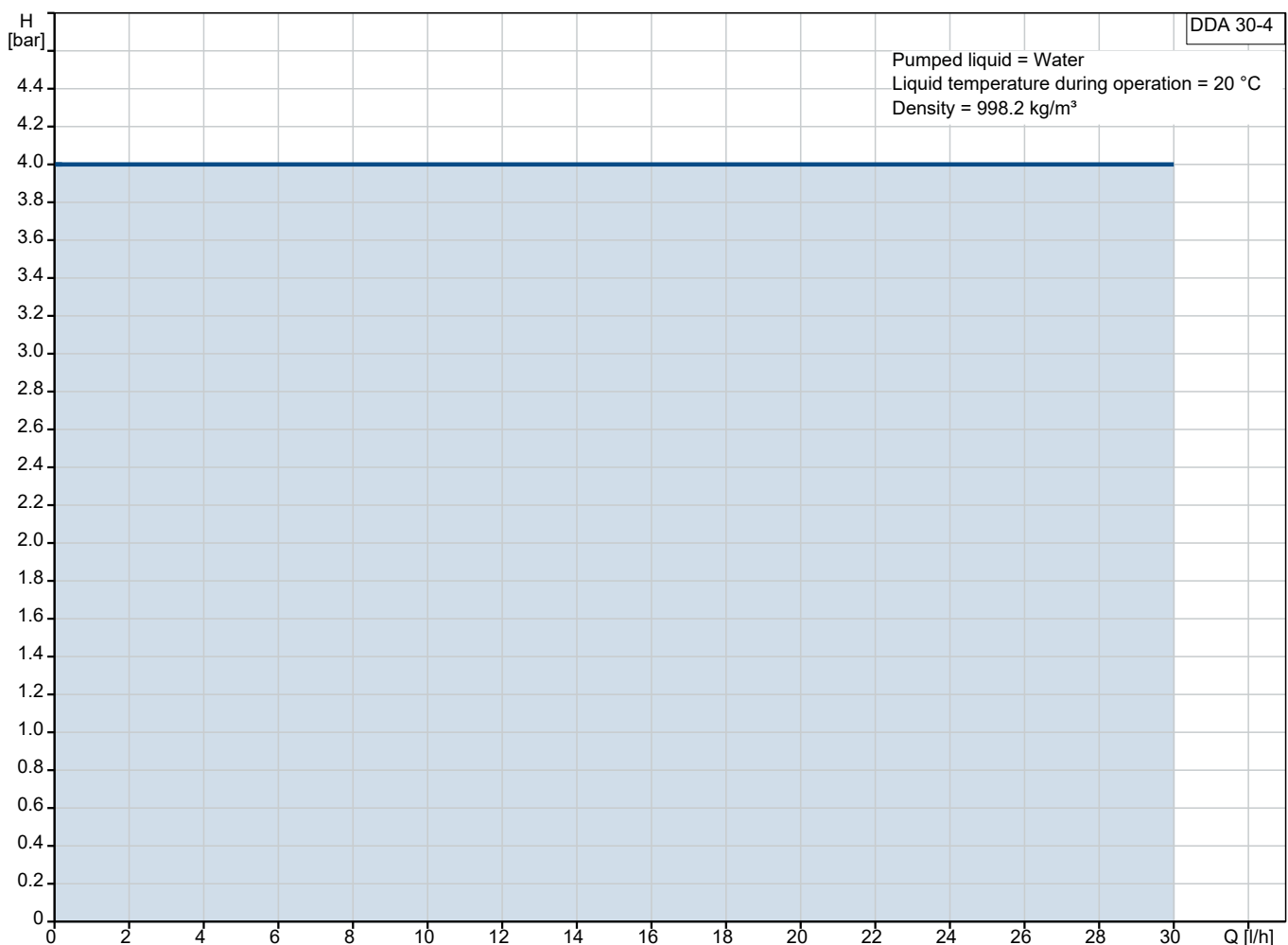


DDA 30-4 AR-C-PP/V/C-F-32I002FG

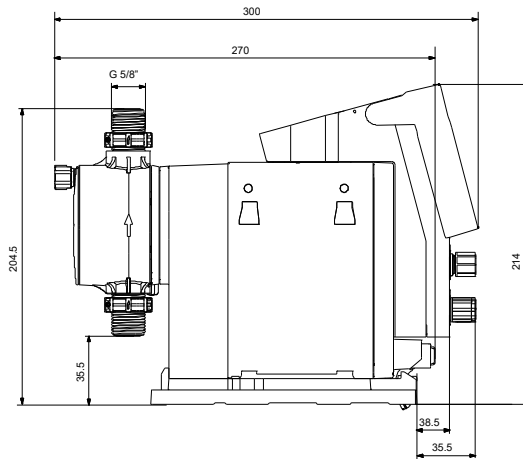
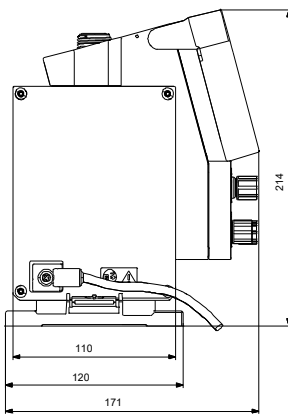
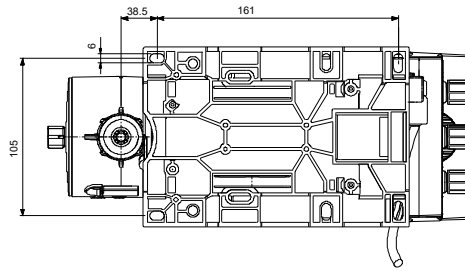
SMART Digital diaphragm dosing pump with internal brushless motor drive. High-end solution for complex and demanding applications (Digital Dosing Advanced).

Note! Product picture may differ from actual product

Conditions of Service		Pump Data		Motor Data	
Liquid:	Water	Maximum operating pressure:	4 bar	Rated voltage:	100-240 V
Temperature:	20 °C	Liquid temperature range:	0 .. 45 °C	Mains frequency:	50 / 60 Hz
Specific Gravity:	1.000	Maximum ambient temperature:	45 °C	Enclosure class:	IP65 / TYPE 4X
		Product number:	On request		



Submittal Data



Materials:

Dosing head: PP (Polypropylene)

Valve ball: Ceramic

Gasket: FKM



Company name:

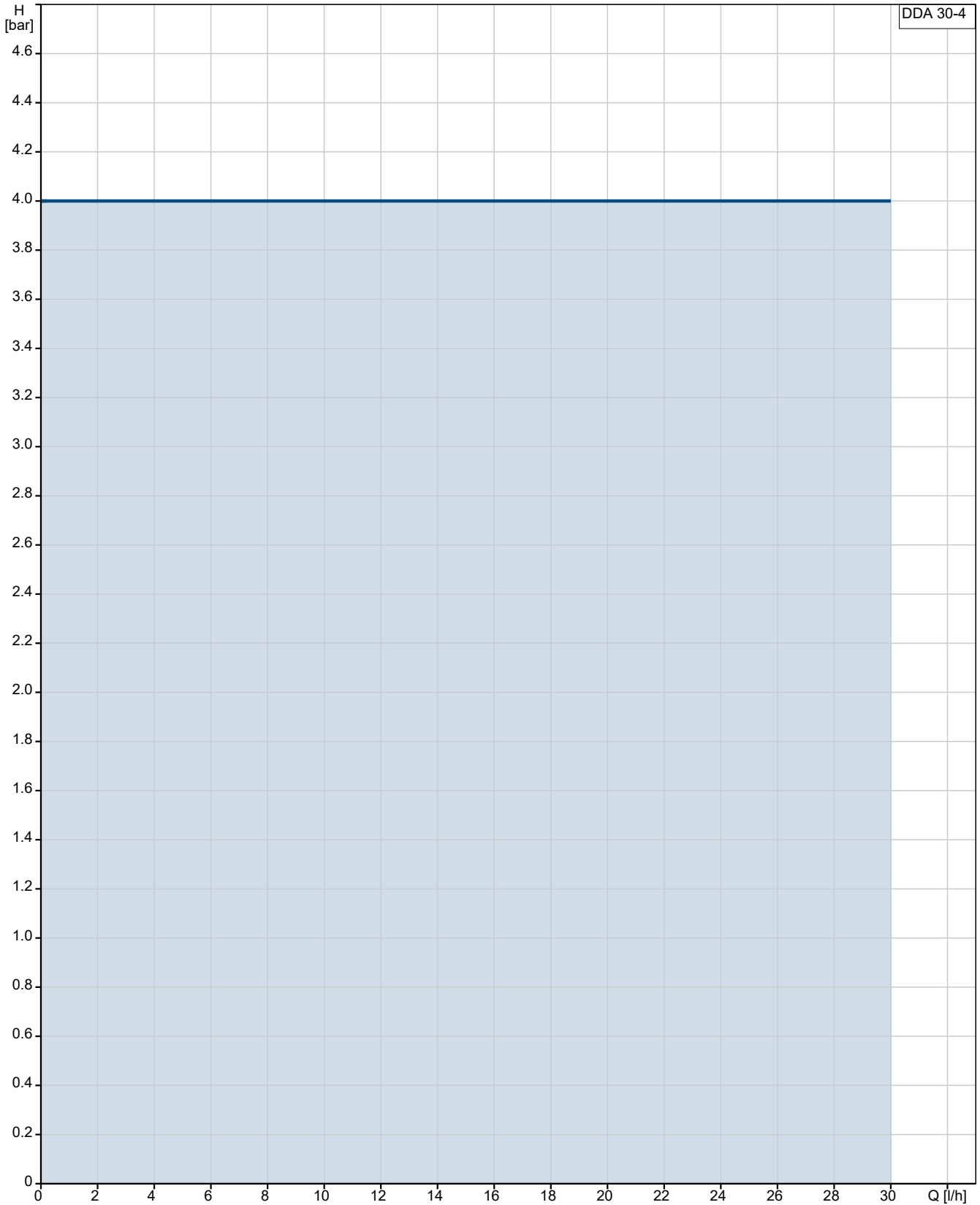
Created by:

Phone:

Date:

13/06/2025

On request DDA 30-4 AR-C-PP/V/C-F-32I002FG

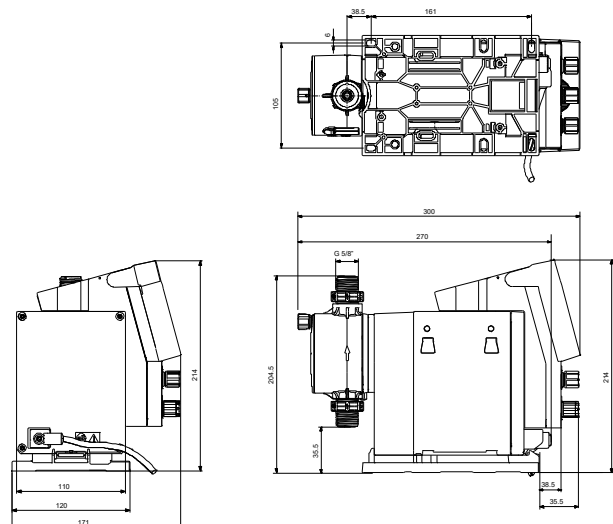


Pumped liquid = Water

Liquid temperature during operation = 20 °C

Density = 998.2 kg/m³

Description	Value
General information:	
Product name:	DDA 30-4 AR-C-PP/V/C-F-32I002FG
Product No:	On request
EAN number:	On request
Price:	AUD 3813
Technical:	
Type key:	DDA 30-4 AR-C-PP/V/C-F-32I002F
Max. Flow:	30 l/h
Max. flow in slow mode 50%:	15 l/h
Max. flow in slow mode 25%:	7.5 l/h
Min flow:	30.0 ml/h
Turn-down ratio:	1:1000
Approvals:	CE, CSA-US, RCM
Valve type:	Spring-Loaded (HV-version)
Maximum viscosity at 100 %:	200 mPas
Maximum viscosity in slow mode 50 %:	600 mPas
Maximum viscosity in slow mode 25 %:	1500 mPas
Accuracy of repeatability:	1 %
Materials:	
Dosing head:	PP (Polypropylene)
Valve ball:	Ceramic
Gasket:	FKM
Installation:	
Range of ambient temperature:	0 .. 45 °C
Maximum operating pressure:	4 bar
Installation set (Yes/No):	YES
Installation type:	9/12 mm up to 60 l/h, 13 bar
Pump inlet:	Hose 9/12 mm 6
Pump outlet:	Hose 9/12 mm 6
Max. Suction lift during operation:	6 m
Max. Suction lift during priming:	2 m
Liquid:	
Pumped liquid:	Water
Liquid temperature range:	0 .. 45 °C
Selected liquid temperature:	20 °C
Density:	998.2 kg/m ³
Electrical data:	
Maximum power input - P1:	24 W
Mains frequency:	50 / 60 Hz
Rated voltage:	1 x 100-240 V
Enclosure class (IEC 34-5):	IP65 / TYPE 4X
Length of cable:	1.5 m
Type of cable plug:	EU
Inrush current:	25A at 230V for 2ms
Controls:	
Control variant:	AR-C
Control panel:	Front-Mounted
Level control:	YES
Analog input:	0/4-20 MA
Pulse control:	YES
Ext. Stop input:	Yes
Analog output:	0/4-20 MA
Output relays:	2
Bus communication:	YES





Company name:

Created by:

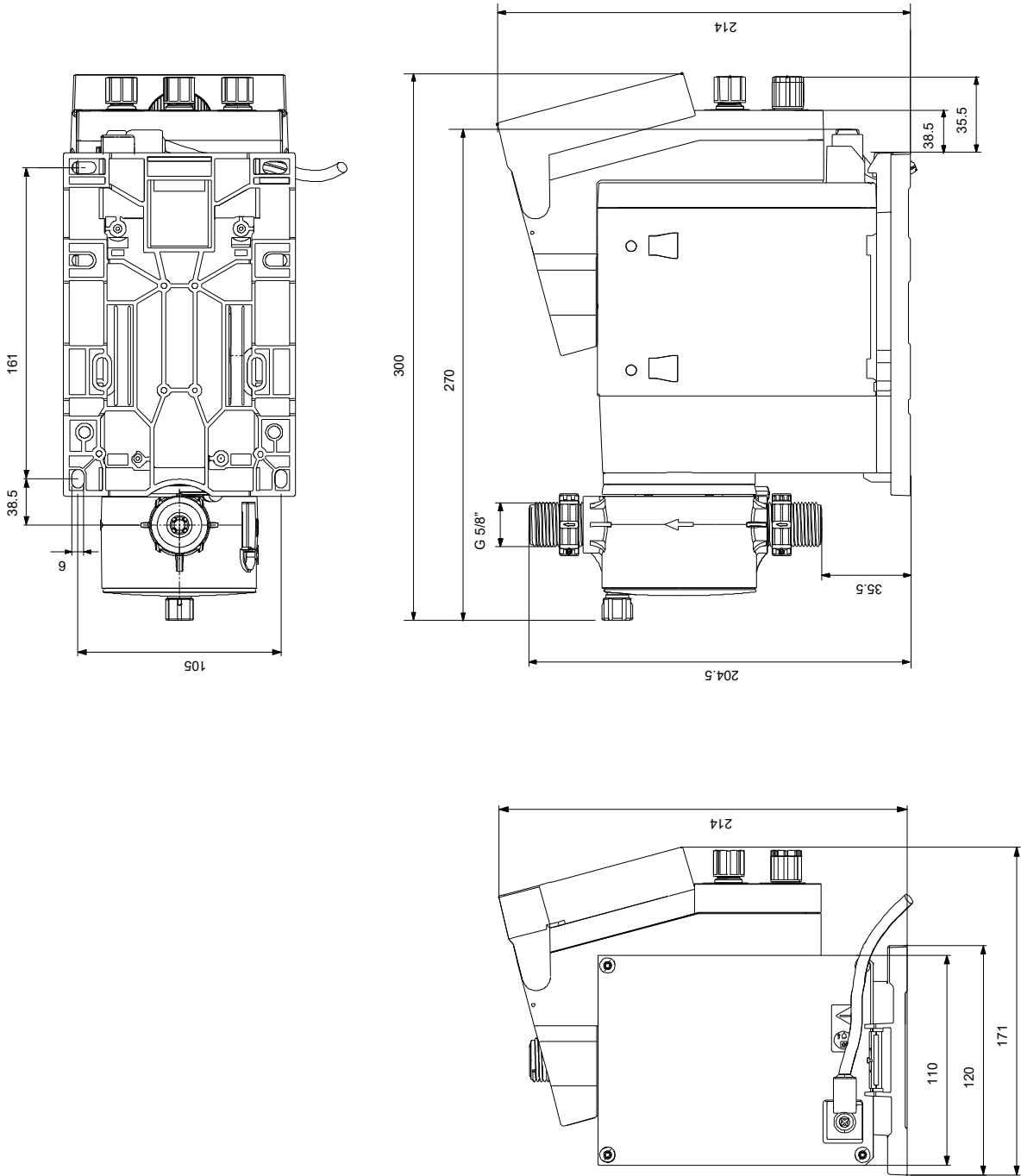
Phone:

Date:

13/06/2025

Description	Value
Others:	
Net weight:	3 kg
Gross weight:	3 kg
Colour:	RED

On request DDA 30-4 AR-C-PP/V/C-F-32I002FG



Note! All units are in [mm] unless others are stated.
Disclaimer: This simplified dimensional drawing does not show all details.