

BLUETOOTH ENABLED

DAVEY ProMaster®

Premium VSD400



INNOVATIVE
POOL PUMP
NOW WITH BLUETOOTH®

APPLICATION

Ideal for pool filtration, in-floor pool cleaning systems, connection to external pool controllers, heat pumps and gas heaters. Suitable for pools up to 140,000 litres.



Smartphone control via
DAVEY Pool Pump App



HIGH EFFICIENCY, SUPER QUIET, WATER COOLED DESIGN

- > **Bluetooth** enabled to allow set and control functionality from your iOS or Android smartphone.
- > **Super Quiet** – Designed with a unique water cooled motor which captures noise and vibrations, allowing super quiet operation, rated down to 50dBa. Your neighbours won't even know it's there.
- > **Fully Variable Speed Control** – The ProMaster offers the pool owner and operator total control over the speed at which the pump needs to operate, from 1,050rpm to 3,100rpm
- > **Programmable boost cycling for every hour of operation**
 - For running the pump at full speed (Boost) for a pre-determined time of operation
 - Improves surface skimming providing for a cleaner pool
 - Ideal for in-floor, pop up, cleaning systems
- > **Constant flow/speed compensation**
 - Helps to overcome friction losses experienced as debris builds up in your filter
 - Saves money on energy running costs*
- > **Convenient** – Large 4.5 litre leaf basket for long intervals between cleaning
- > **Weatherproof RJ45 communication port** – For speed adjustment via connection to an external pool controller, gas heater or heat pump
- > **Backwash speed cycling technology with auto shut off** – ProMaster is designed with a schedule selectable backwash cycle that runs the pump between a low and high speeds to agitate the filter media, delivering a more effective clean. A 2 minute auto-shut-off ensures the pump is not accidentally left on draining pool water
- > **Double insulated to water circuit** – Provided with an Equipotential Bonding Point for AS/NZ 3000 wiring standards

*Running your pump at low speed uses less energy to turnover the same amount of pool water.

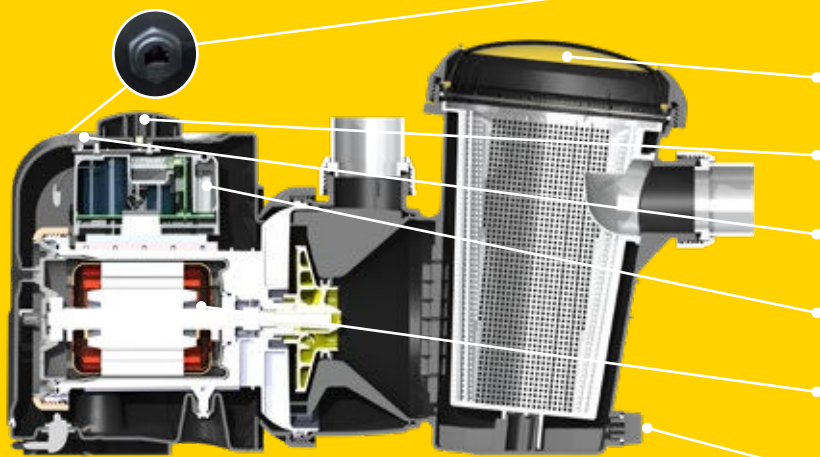


Depend on Davey

DAVEY

ProMaster Bluetooth® Premium VSD400 Pool Pump

Bluetooth smartphone control via iOS or Android app 



Weatherproof RJ45 communication port for communication & connecting to external pool control systems or pool heaters

Large 4.5 litre lint pot provides for longer intervals between cleaning

Fully variable frequency drive with user friendly selectable speed dial

Multi-coloured LED indicator light for operating conditions and warnings

Loss of prime protection to protect the pump when there is no water inside the pump

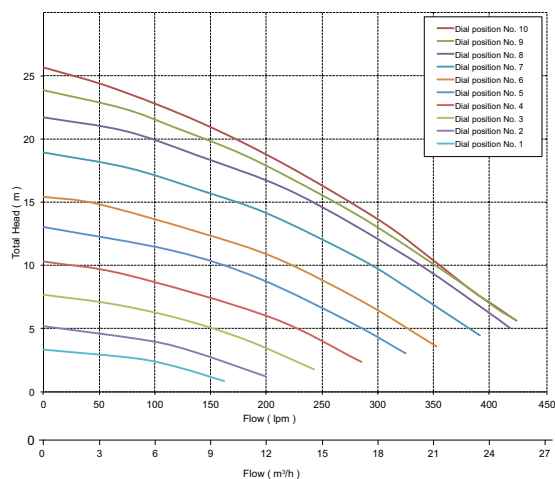
High performance water cooled motor for super quiet, efficient use all year round

Drain plug enables quick draining of the casing for easy removal and maintenance

ELECTRICAL DATA

Voltage (VAC)	220-240
Supply frequency (Hz)	50/60
Max input power (W/hp)	126W/0.17hp @ Dial 1 728W/0.97hp @ Dial 5 1,639W/2.19hp @ Dial 10 Backwash: varies
Motor speed (rpm)	1,050 to 3,100
Backwash (rpm)	Variable speed
Enclosure class (IP)	45
Insulation class	F
Power lead length	3m
Approval No.	SGS-150025-EA

HYDRAULIC PERFORMANCE

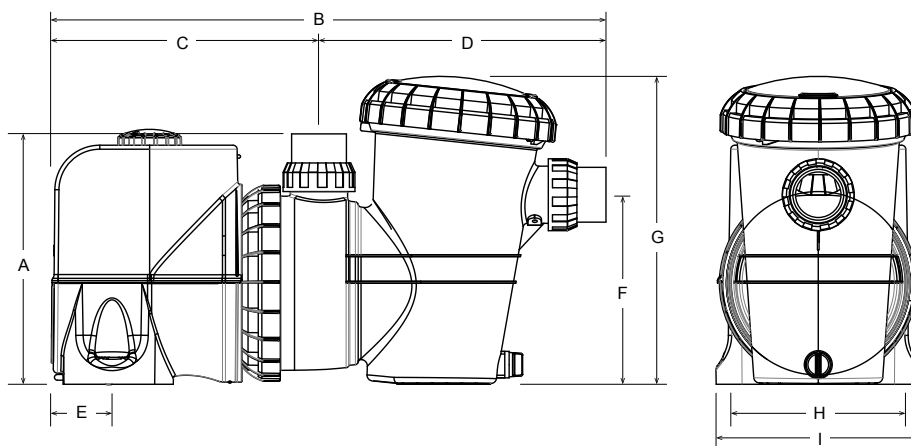


OPERATING LIMITS

Max. water temperature	Max. ambient temperature
40°C	50°C

DIMENSIONS (mm)

Model	A	B	C	D	E	F	G	H	I	Mounting Holes Diameter	Inlet/Outlet PVC	Net Weight (kg)
PM400BT	305	670	320	350	65	230	380	200	250	10	50	14.5



davey.com.au | daveynz.co.nz | daveyeurope.eu | daveyusa.com

This literature is not a complete guide to product usage. All images provided in this document are for illustration purposes only. Further information is available from your Davey Dealer, Davey Support Centre and from the relevant product Installation and Operating Instructions. Must be read in conjunction with the relevant product Installation and Operating Instructions and all applicable statutory requirements. Product specifications may change without notice. © Davey is a registered trademark of Davey Water Products Pty Ltd. © Davey Water Products Pty Ltd 2019.

DAVEY